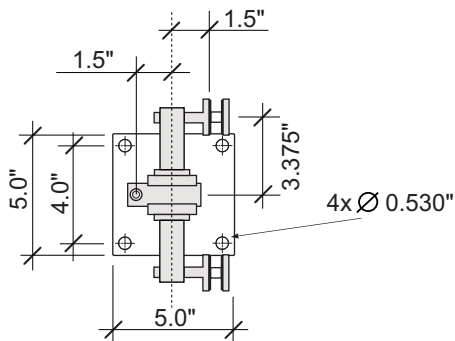
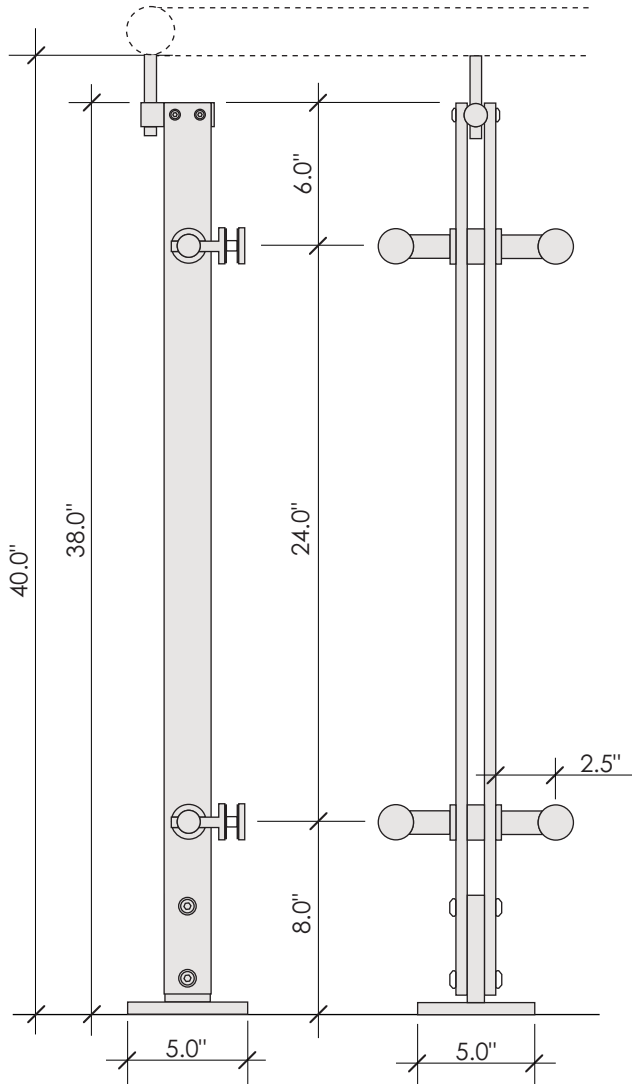




**ZeX**



# SS313-C ZeX Double Sided Post



**Vanrohe**<sup>®</sup>  
Architectural Products

## Specification

### ► Assembly Components

Double flat bar ½" x 2",  
Rail Support - 2" high vertical pin (height adjustment),  
4 SSPB-13FX Panel Brackets,  
Base Flange 5" x 5" x ½"

### ► Material

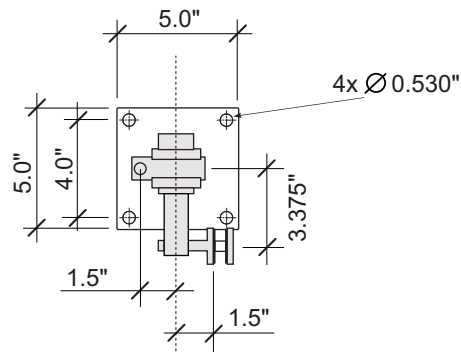
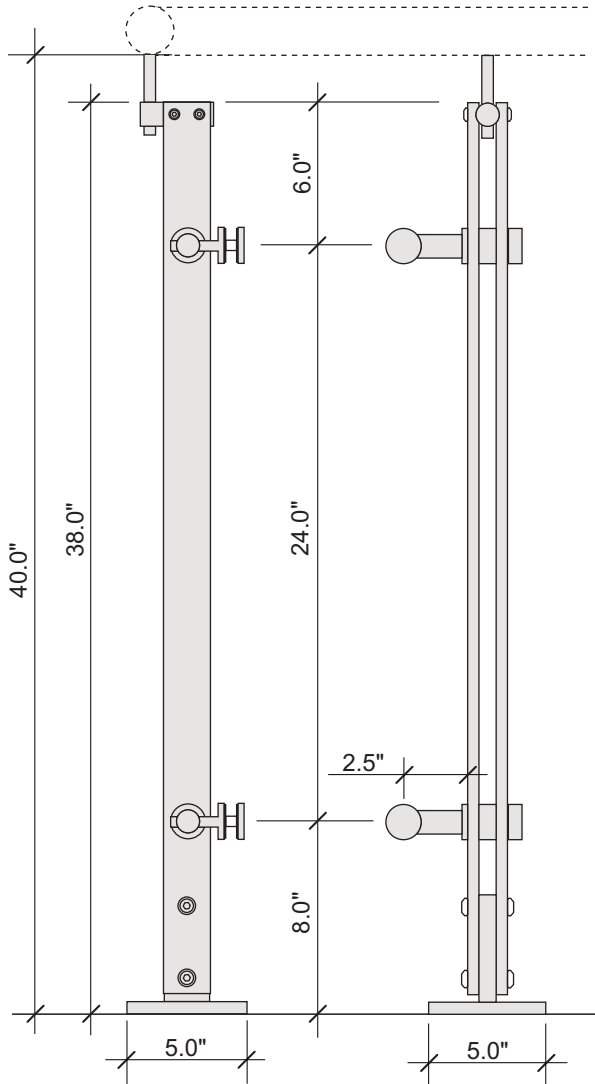
Stainless Steel 304, 316

### ► Finish

#4 (220grit) Brushed

*42" Guard Rail*

# SS413-C ZeX Single Sided Post



**Vanrohe**<sup>®</sup>  
Architectural Products

## Specification

### ► Assembly Components

Double flat bar 1/2" x 2",  
Rail Support - 2" high vertical pin (height adjustment),  
2 SSPB-13FX Panel Brackets,  
Base Flange 5" x 5" x 1/2"

### ► Material

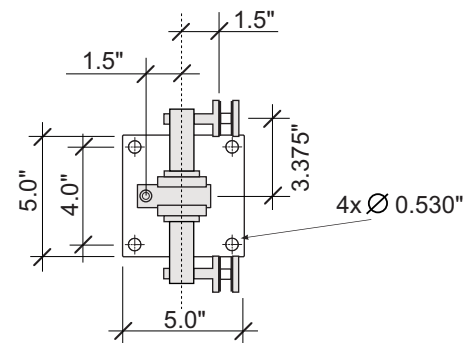
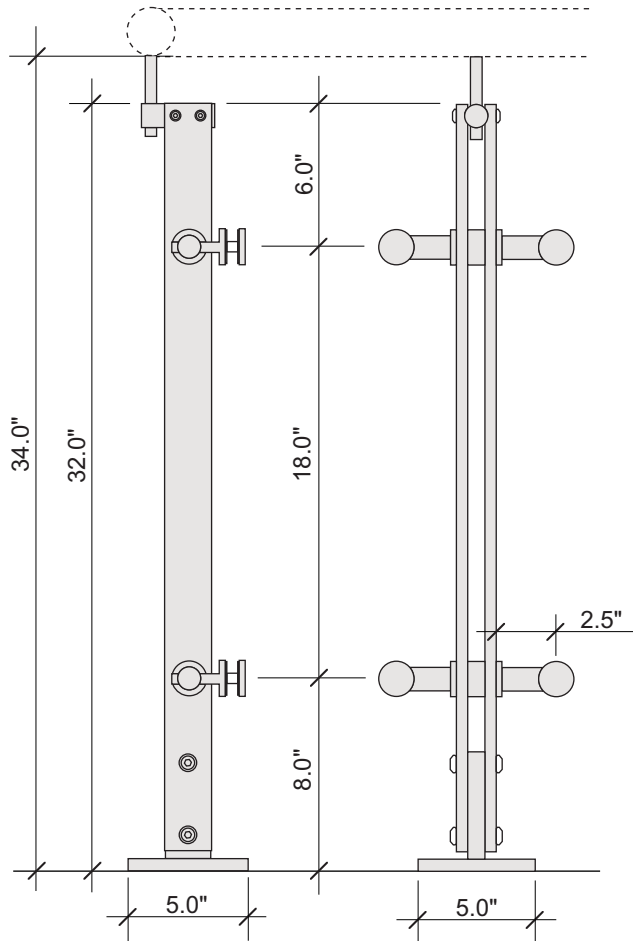
Stainless Steel 304, 316

### ► Finish

#4 (220grit) Brushed

*42" Guard Rail*

# SS313-H ZeX Double Sided Post



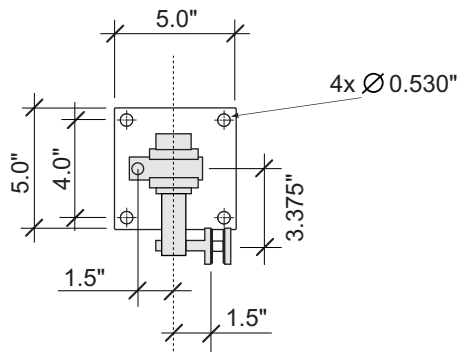
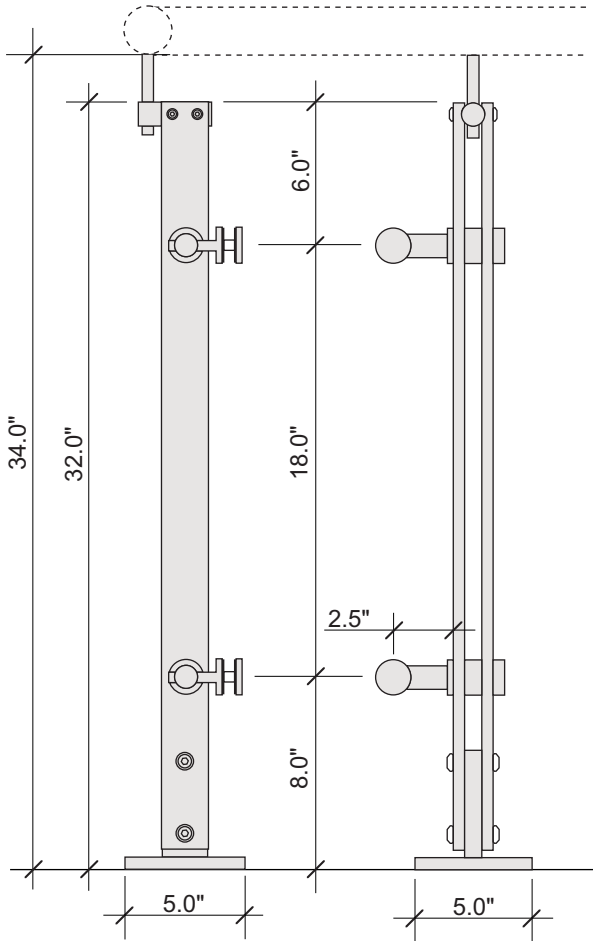
**Vanrohe**<sup>®</sup>  
Architectural Products

## Specification

- ▶ Assembly Components
  - Double flat bar ½" x 2",
  - Rail Support - 2" high vertical pin (height adjustment),
  - 4 SSPB-13FX Panel Brackets,
  - Base Flange 5" x 5" x ½"
- ▶ Material
  - Stainless Steel 304, 316
- ▶ Finish
  - #4 (220grit) Brushed

36" Guard Rail

# SS413-H ZeX Single Sided Post



**Vanrohe**<sup>®</sup>  
Architectural Products

## Specification

### ► Assembly Components

Double flat bar 1/2" x 2",  
Rail Support - 2" high vertical pin (height adjustment),  
2 SSPB-13FX Panel Brackets,  
Base Flange 5" x 5" x 1/2"

### ► Material

Stainless Steel 304, 316

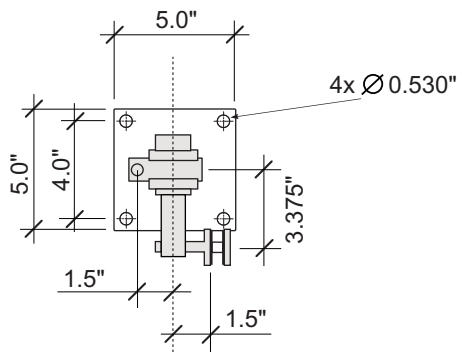
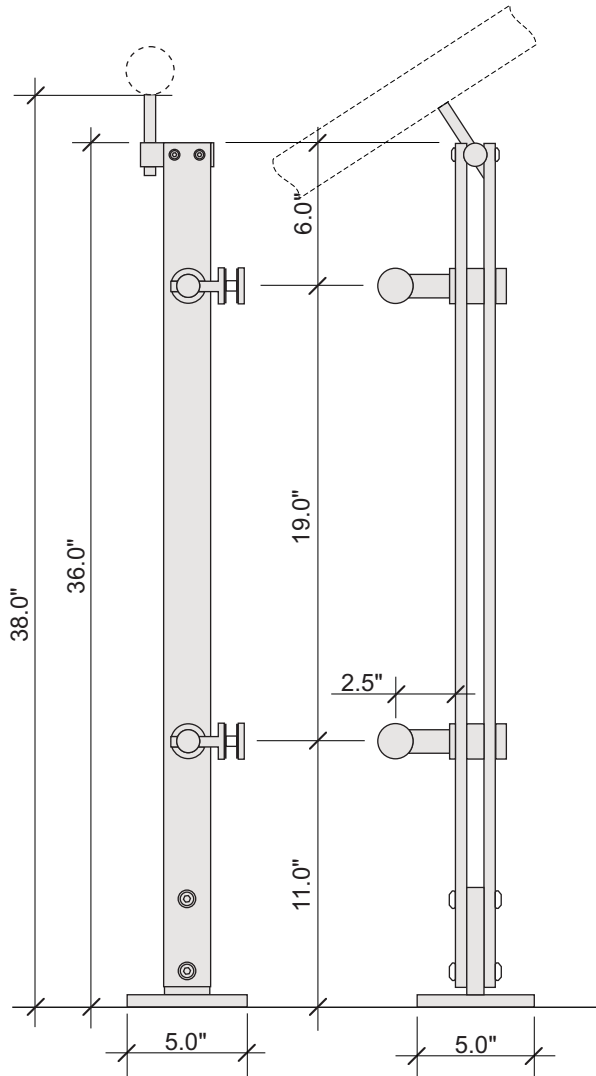
### ► Finish

#4 (220grit) Brushed

*36" Guard Rail*



# SS413-S ZeX Single Sided Post



**Vanrohe**<sup>®</sup>  
Architectural Products

## Specification

### ► Assembly Components

Double flat bar 1/2" x 2",  
Rail Support - 2" high vertical pin (height adjustment),  
2 SSPB-13FX Panel Brackets,  
Base Flange 5" x 5" x 1/2"

### ► Material

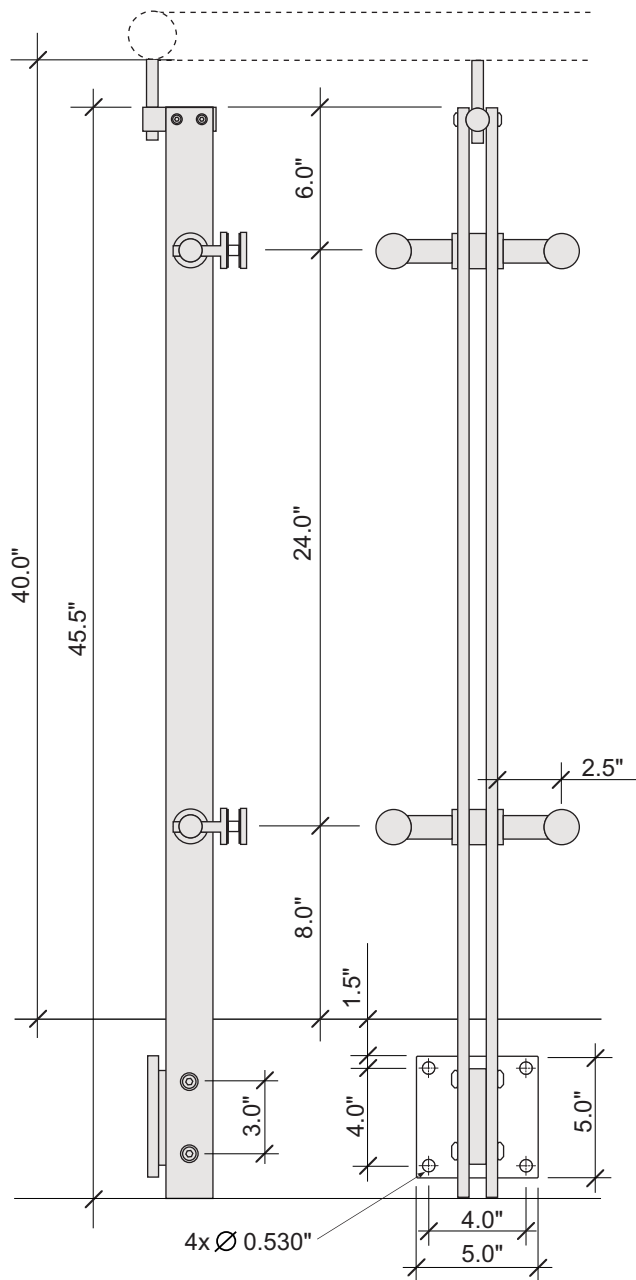
Stainless Steel 304, 316

### ► Finish

#4 (220grit) Brushed

*37" Stairs*

# SS513-C ZeX Double Sided Post - Vertical Mount



## Specification

### ► Assembly Components

Double flat bar 1/2" x 2",  
Rail Support - 2" high vertical pin (height adjustment),  
4 SSPB-13FX Panel Brackets,  
Vertical Base Flange 5" x 5" x 1/2"

### ► Material

Stainless Steel 304, 316

### ► Finish

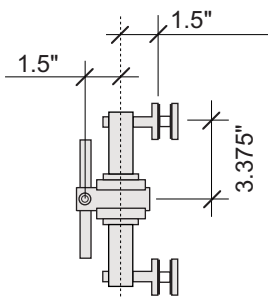
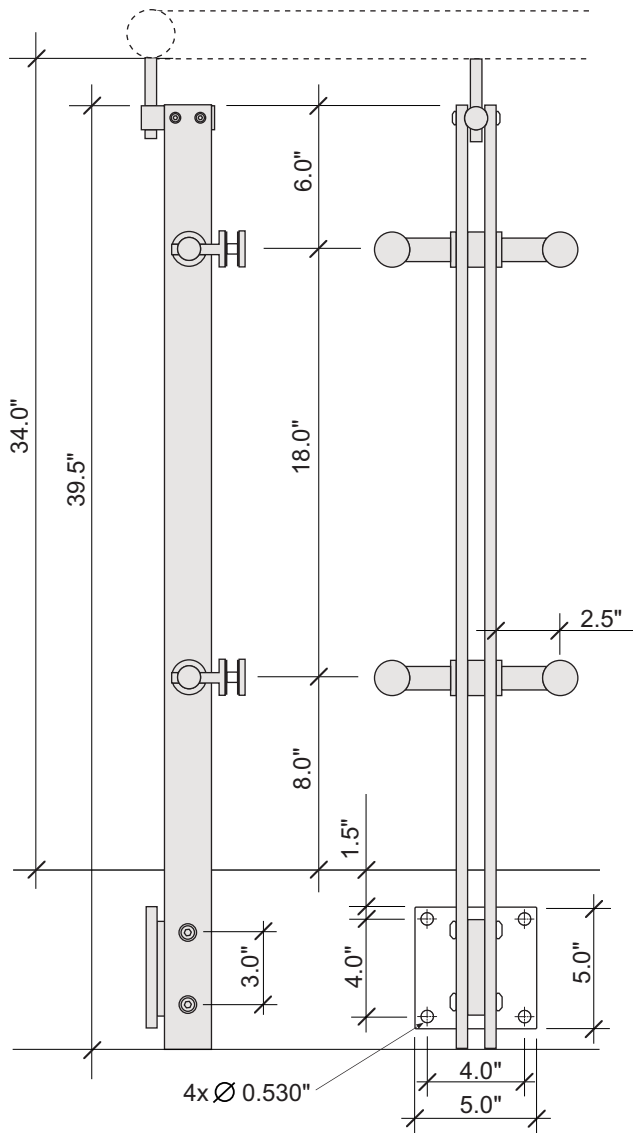
#4 (220grit) Brushed

42" Guard Rail

**Vanrohe**<sup>®</sup>  
Architectural Products





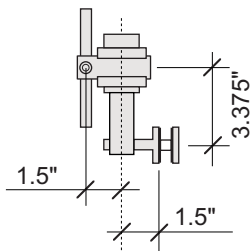
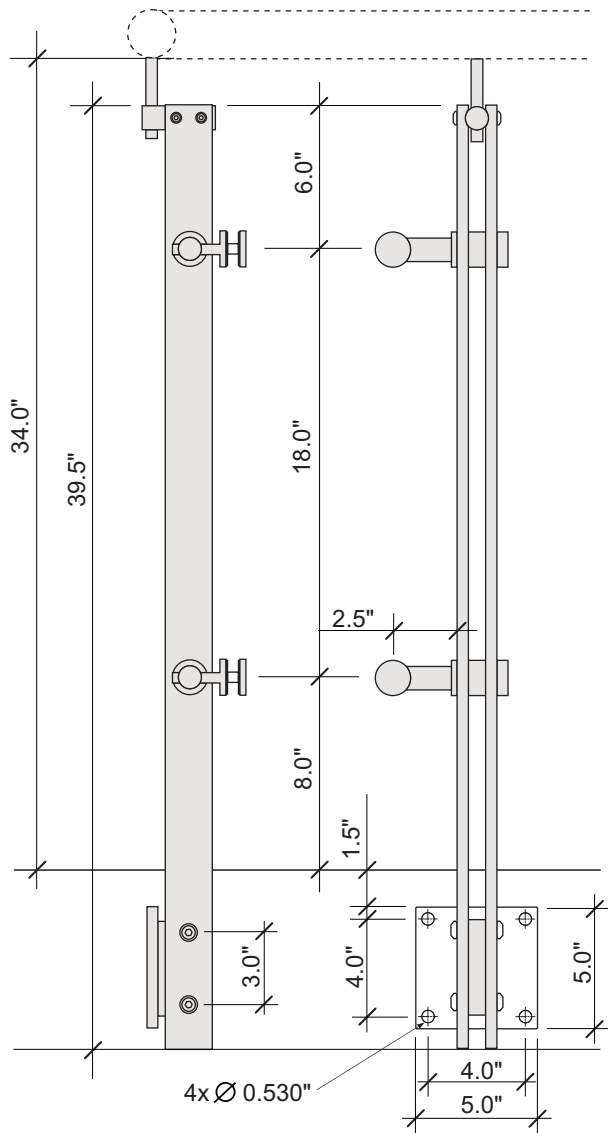


**Vanrohe**<sup>®</sup>  
Architectural Products

## Specification

- ▶ **Assembly Components**  
Double flat bar ½" x 2",  
Rail Support - 2" high vertical pin (height adjustment),  
4 SSPB-13FX Panel Brackets,  
Vertical Base Flange 5" x 5" x ½"
- ▶ **Material**  
Stainless Steel 304, 316
- ▶ **Finish**  
#4 (220grit) Brushed

*36" Guard Rail*



**Vanrohe**<sup>®</sup>  
Architectural Products

**Specification**

► **Assembly Components**

Double flat bar 1/2" x 2",  
Rail Support - 2" high vertical pin (height adjustment),  
2 SSPB-13FX Panel Brackets,  
Vertical Base Flange 5" x 5" x 1/2"

► **Material**

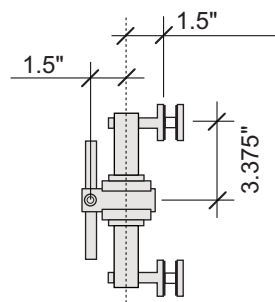
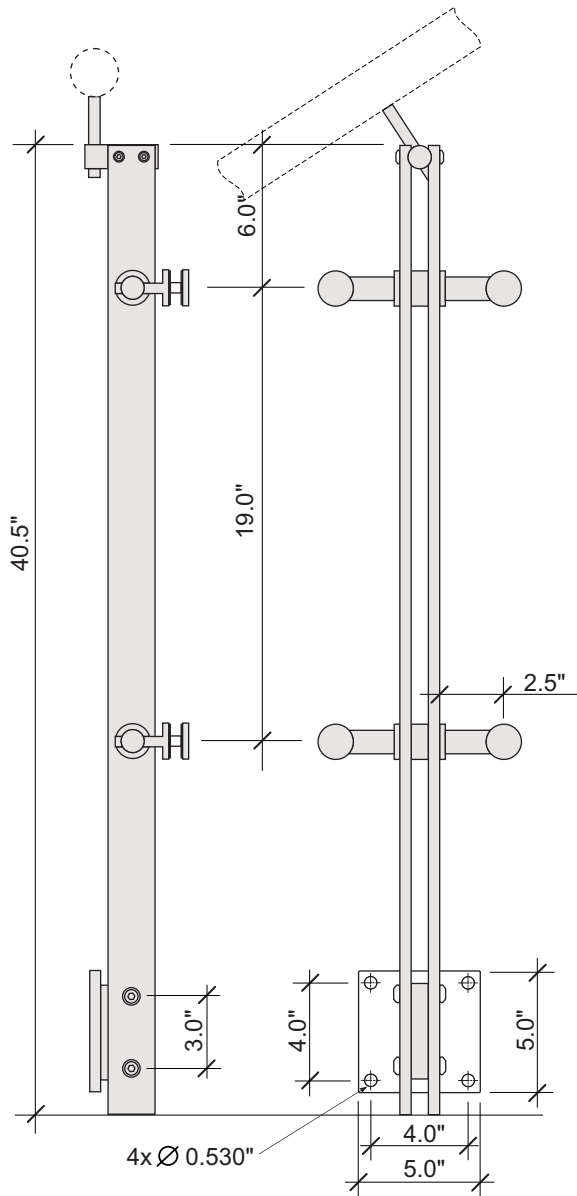
Stainless Steel 304, 316

► **Finish**

#4 (220grit) Brushed

*36" Guard Rail*

# SS513-S ZeX Double Sided Post - Vertical Mount



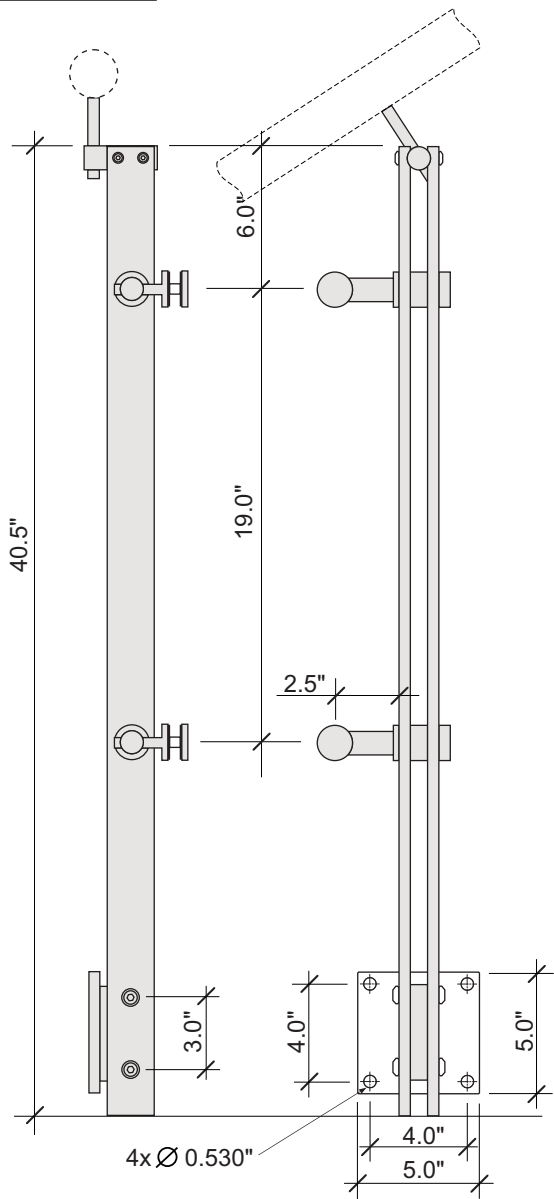
**Vanrohe**<sup>®</sup>  
Architectural Products

## Specification

- ▶ Assembly Components
  - Double flat bar 1/2" x 2",
  - Rail Support - 2" high vertical pin (height adjustment),
  - 4 SSPB-13FX Panel Brackets,
  - Vertical Base Flange 5" x 5" x 1/2"
- ▶ Material
  - Stainless Steel 304, 316
- ▶ Finish
  - #4 (220grit) Brushed

37" Stairs

# SS613-S ZeX Single Sided Post - Vertical Mount



## Specification

### ► Assembly Components

Double flat bar 1/2" x 2",  
Rail Support - 2" high vertical pin (height adjustment),  
2 SSPB-13FX Panel Brackets,  
Vertical Base Flange 5" x 5" x 1/2"

### ► Material

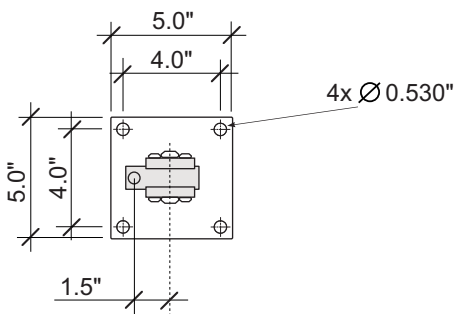
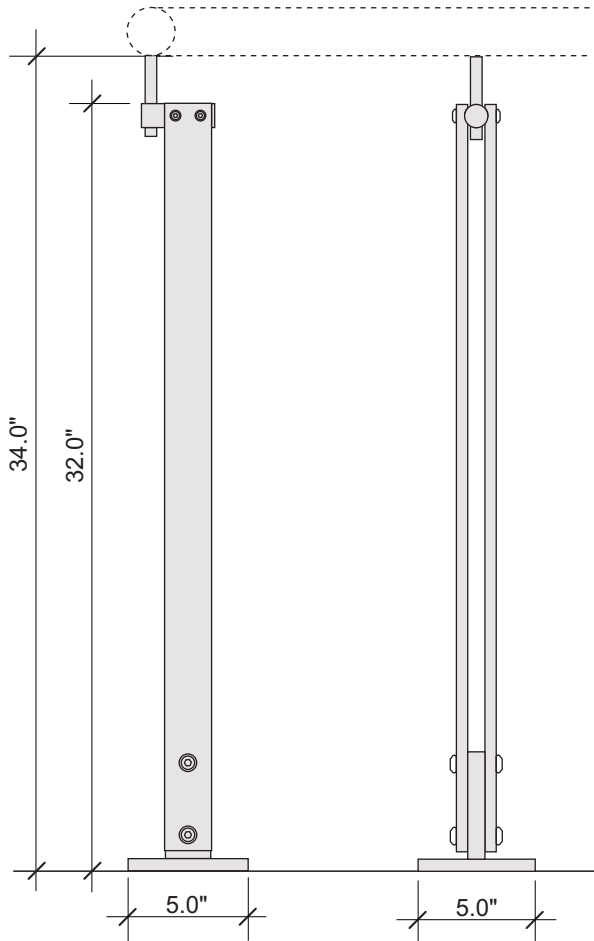
Stainless Steel 304, 316

### ► Finish

#4 (220grit) Brushed

37" Stairs

**Vanrohe**<sup>®</sup>  
Architectural Products



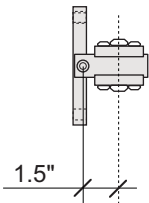
**Vanrohe**<sup>®</sup>  
Architectural Products

## Specification

- ▶ Assembly Components
  - Double flat bar 1/2" x 2",
  - Rail Support - 2" high vertical pin (height adjustment),
  - Base Flange 5" x 5" x 1/2"
- ▶ Material
  - Stainless Steel 304, 316
- ▶ Finish
  - #4 (220grit) Brushed

*36" Hand Rail*

# SS813-H ZeX Post - Vertical Mount



**Vanrohe**<sup>®</sup>  
Architectural Products

## Specification

### ► Assembly Components

Double flat bar ½" x 2",  
Rail Support - 2" high vertical pin (height adjustment),  
Vertical Base Flange 5" x 5" x ½"

### ► Material

Stainless Steel 304, 316

### ► Finish

#4 (220grit) Brushed

*36" Hand Rail*



**Vanrohe**<sup>®</sup>  
Architectural Products

4444 Eastgate Parkway, Unit 3  
Mississauga, ON L4W 4T6  
[www.vanrohe.com](http://www.vanrohe.com)

Tel 289-290-3513  
email [info@vanrohe.com](mailto:info@vanrohe.com)