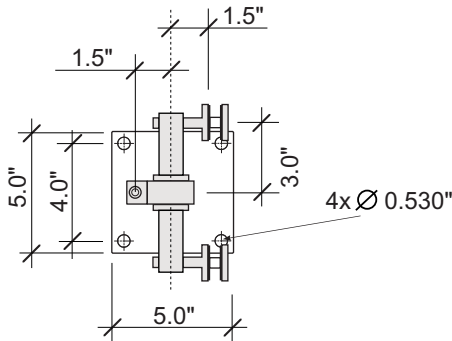
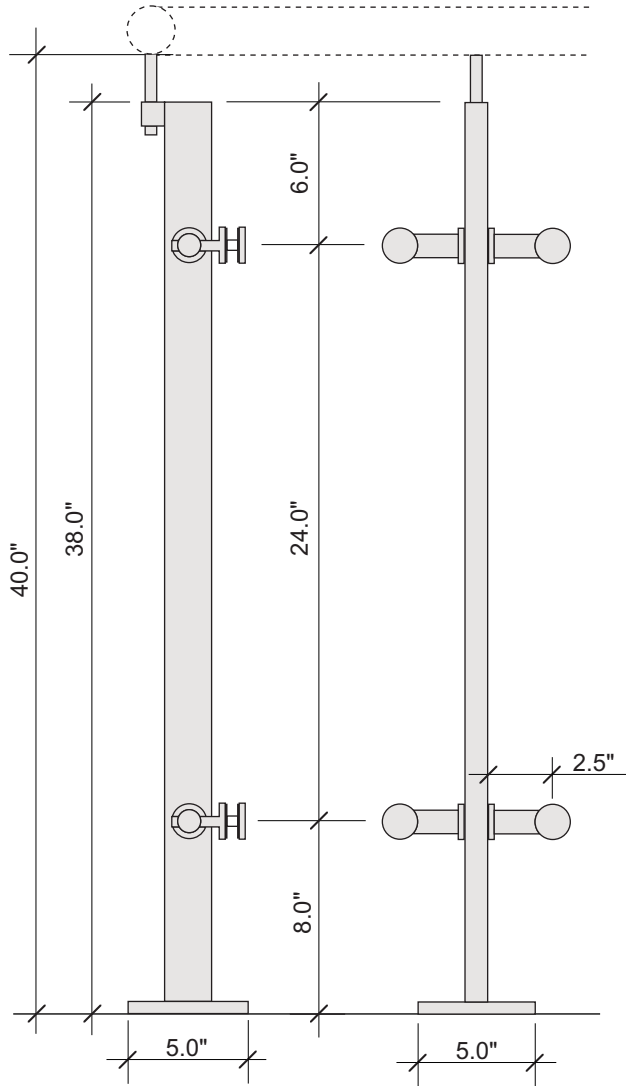




Terra





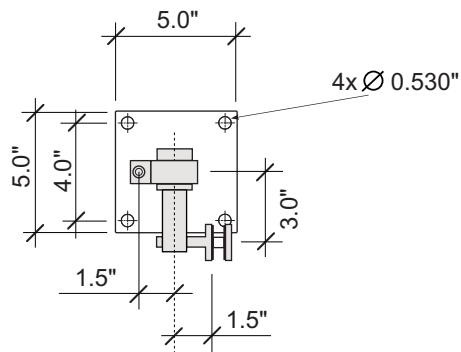
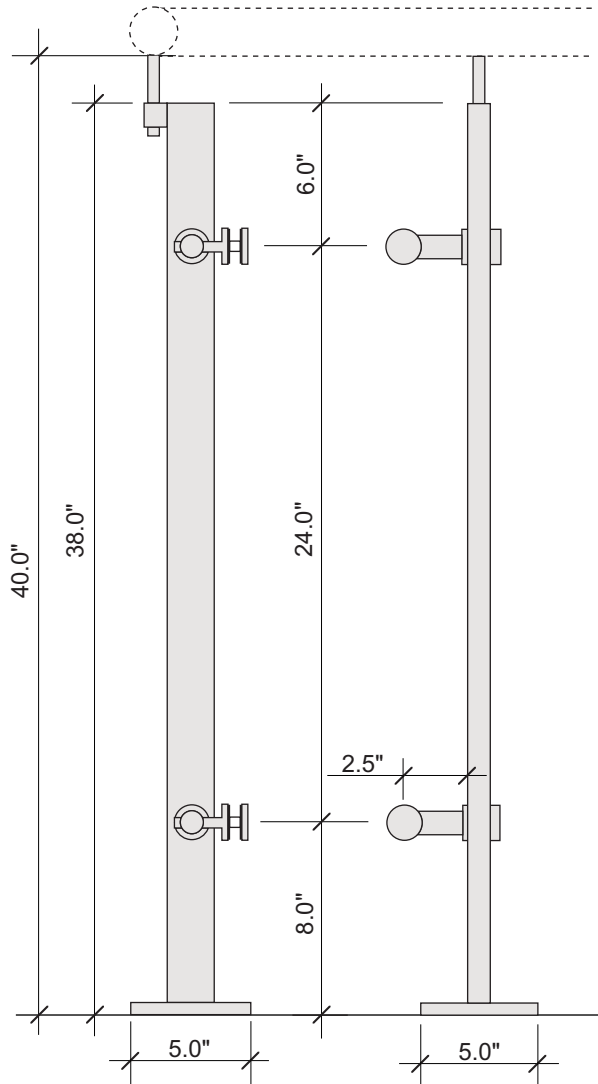
Vanrohe[®]
Architectural Products

Specification

- ▶ Assembly Components
 - Single flat bar 1" x 2",
 - Rail Support - 2" high vertical pin (height adjustment),
 - 4 SSPB-13FX Panel Brackets,
 - Base Flange 5" x 5" x 1/2"
- ▶ Material
 - Stainless Steel 304, 316
- ▶ Finish
 - #4 (220grit) Brushed

42" Guard Rail

SS272-C Terra Single Sided Post



Vanrohe[®]
Architectural Products

Specification

► Assembly Components

Single flat bar 1" x 2",
Rail Support - 2" high vertical pin (height adjustment),
2 SSPB-13FX Panel Brackets,
Base Flange 5" x 5" x 1/2"

► Material

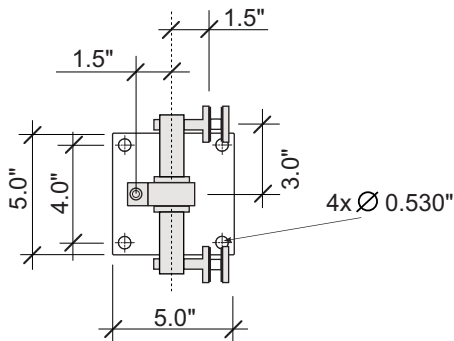
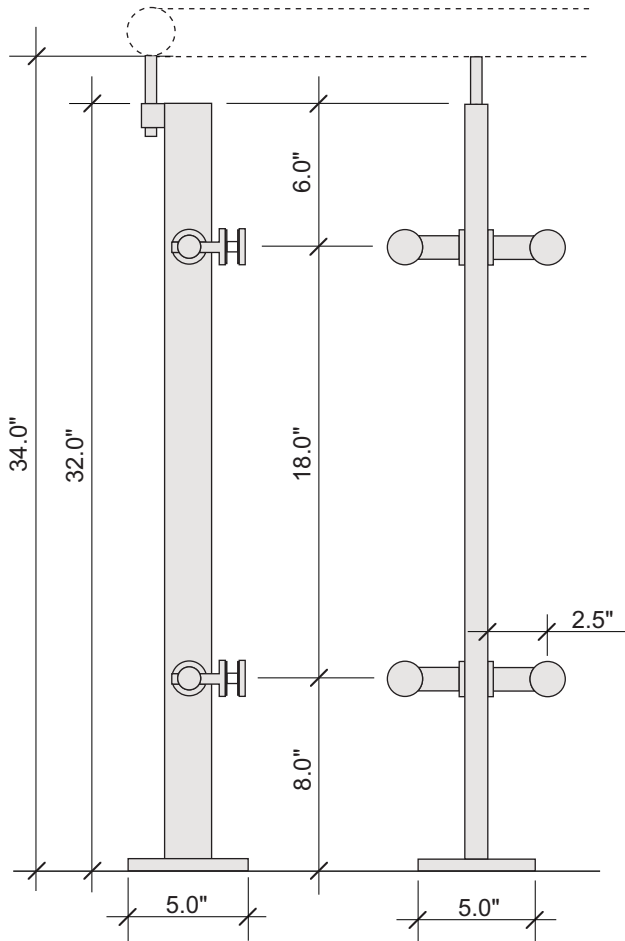
Stainless Steel 304, 316

► Finish

#4 (220grit) Brushed

42" Guard Rail

SS271-H Terra Double Sided Post



Vanrohe[®]
Architectural Products

Specification

► Assembly Components

Single flat bar 1" x 2",
Rail Support - 2" high vertical pin (height adjustment),
4 SSPB-13FX Panel Brackets,
Base Flange 5" x 5" x 1/2"

► Material

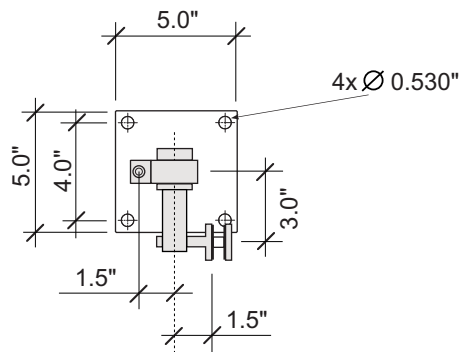
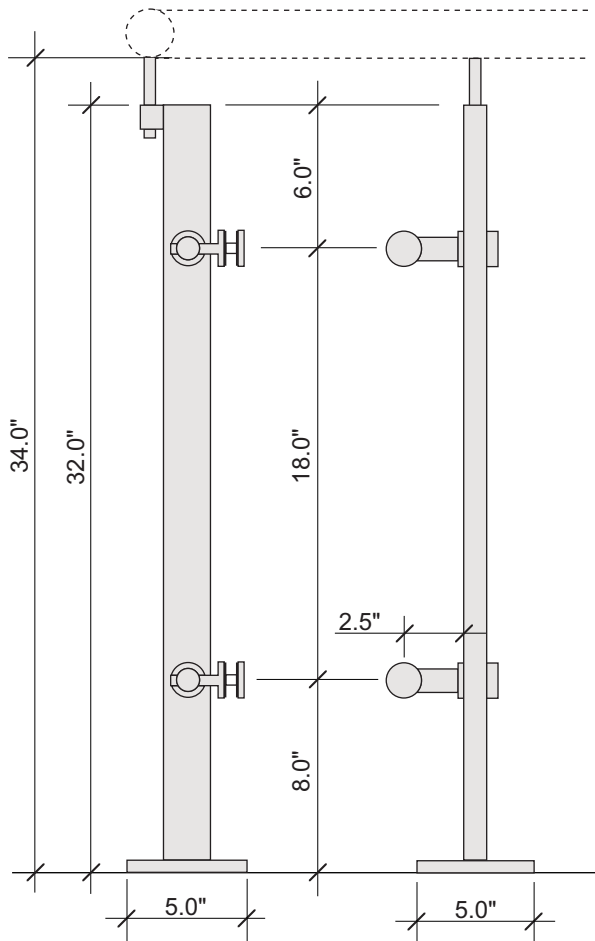
Stainless Steel 304, 316

► Finish

#4 (220grit) Brushed

36" Guard Rail

SS272-H Terra Single Sided Post



Vanrohe[®]
Architectural Products

Specification

► Assembly Components

Single flat bar 1" x 2",
Rail Support - 2" high vertical pin (height adjustment),
2 SSPB-13FX Panel Brackets,
Base Flange 5" x 5" x ½"

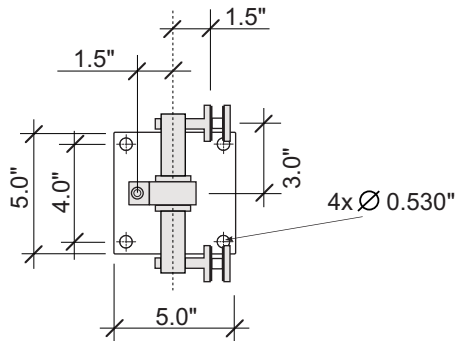
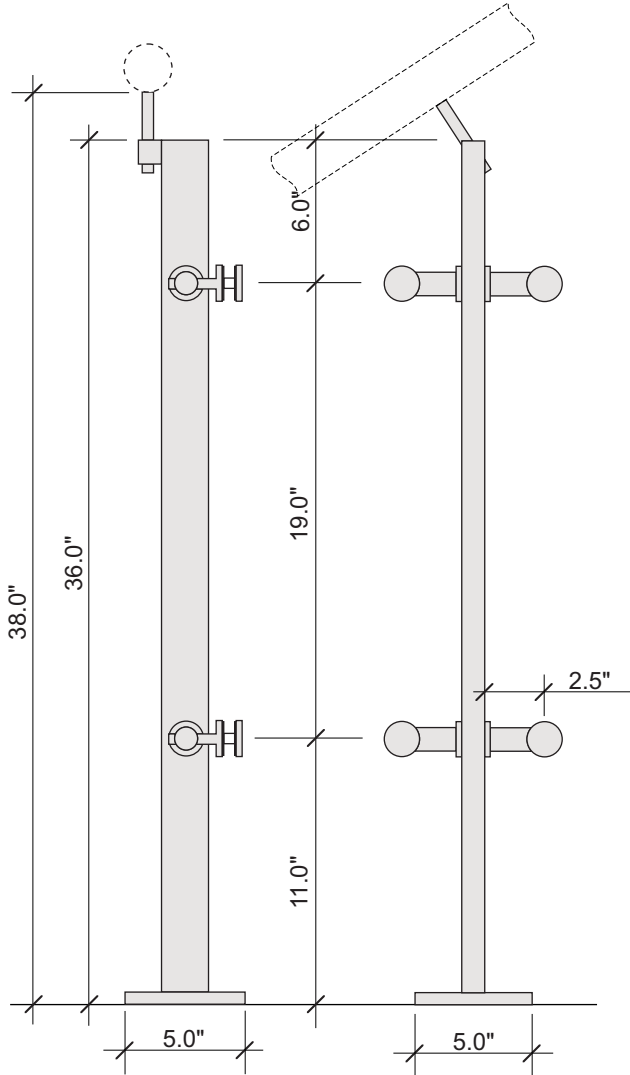
► Material

Stainless Steel 304, 316

► Finish

#4 (220grit) Brushed

36" Guard Rail



Vanrohe[®]
Architectural Products

Specification

► Assembly Components

Single flat bar 1" x 2",
Rail Support - 2" high vertical pin (height adjustment),
4 SSPB-13FX Panel Brackets,
Base Flange 5" x 5" x 1/2"

► Material

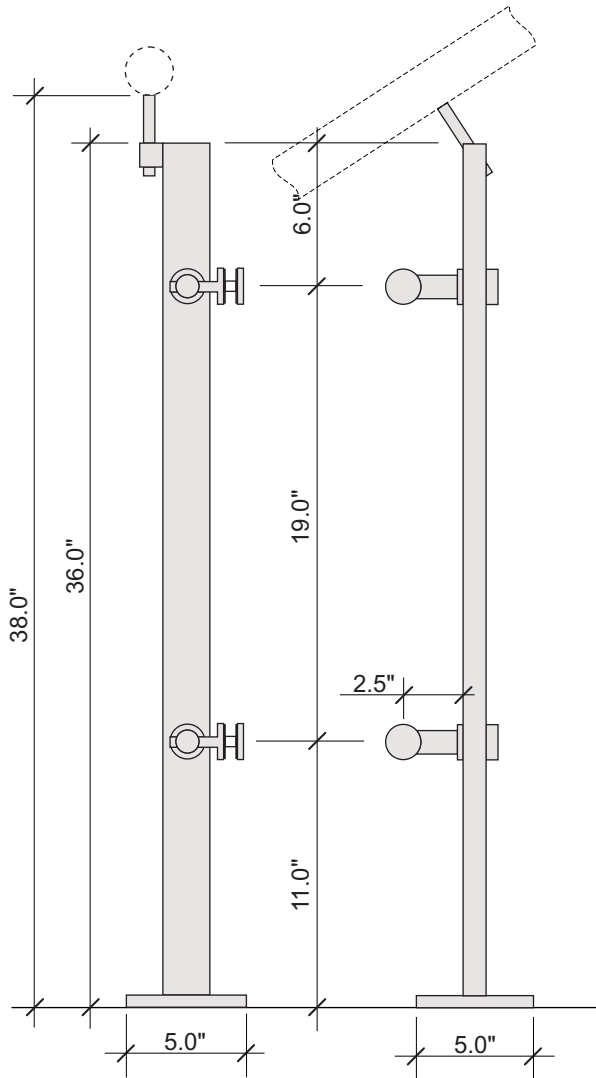
Stainless Steel 304, 316

► Finish

#4 (220grit) Brushed

37" Stairs

SS272-S Terra Single Sided Post



Specification

► Assembly Components

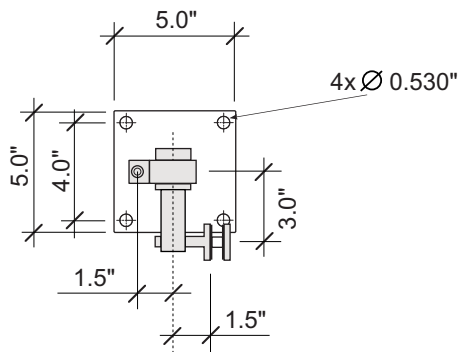
Single flat bar 1" x 2",
Rail Support - 2" high vertical pin (height adjustment),
2 SSPB-13FX Panel Brackets,
Base Flange 5" x 5" x 1/2"

► Material

Stainless Steel 304, 316

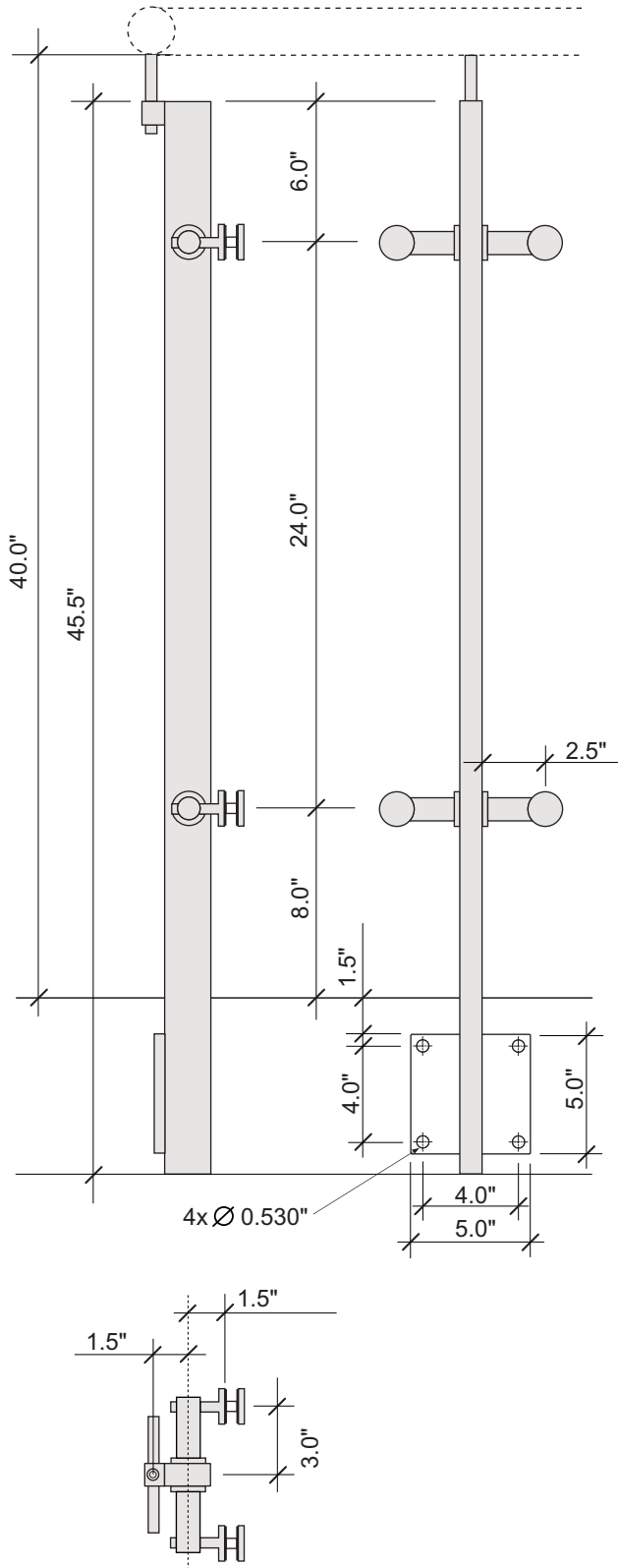
► Finish

#4 (220grit) Brushed



Vanrohe[®]
Architectural Products

37" Stairs



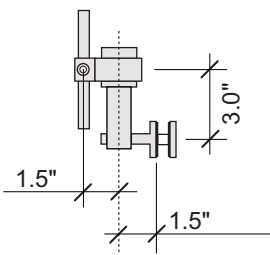
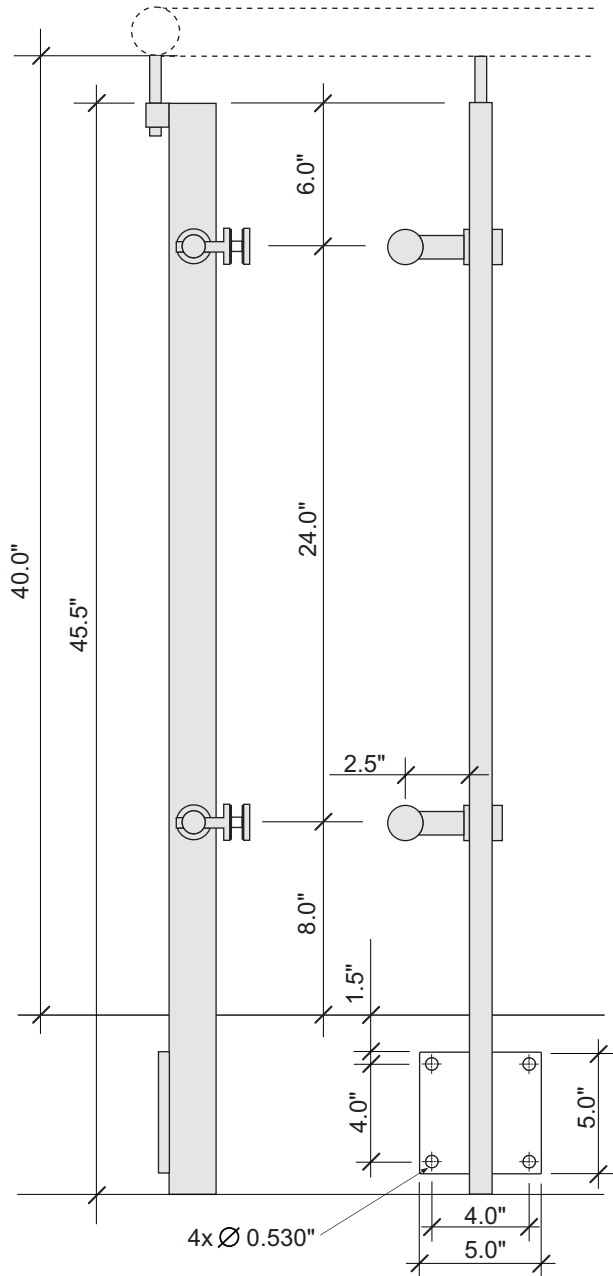
Vanrohe[®]
Architectural Products

Specification

- ▶ **Assembly Components**
 - Single flat bar 1" x 2",
 - Rail Support - 2" high vertical pin (height adjustment),
 - 4 SSPB-13FX Panel Brackets,
 - Vertical Base Flange 5" x 5" x 1/2"
- ▶ **Material**
 - Stainless Steel 304, 316
- ▶ **Finish**
 - #4 (220grit) Brushed

42" Guard Rail

SS274-C Terra Single Sided Post - Vertical Mount



Vanrohe[®]
Architectural Products

Specification

► Assembly Components

Single flat bar 1" x 2",
Rail Support - 2" high vertical pin (height adjustment),
2 SSPB-13FX Panel Brackets,
Vertical Base Flange 5" x 5" x 1/2"

► Material

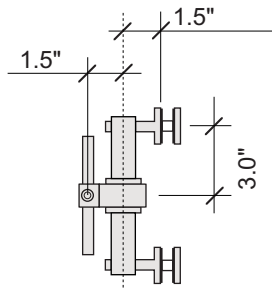
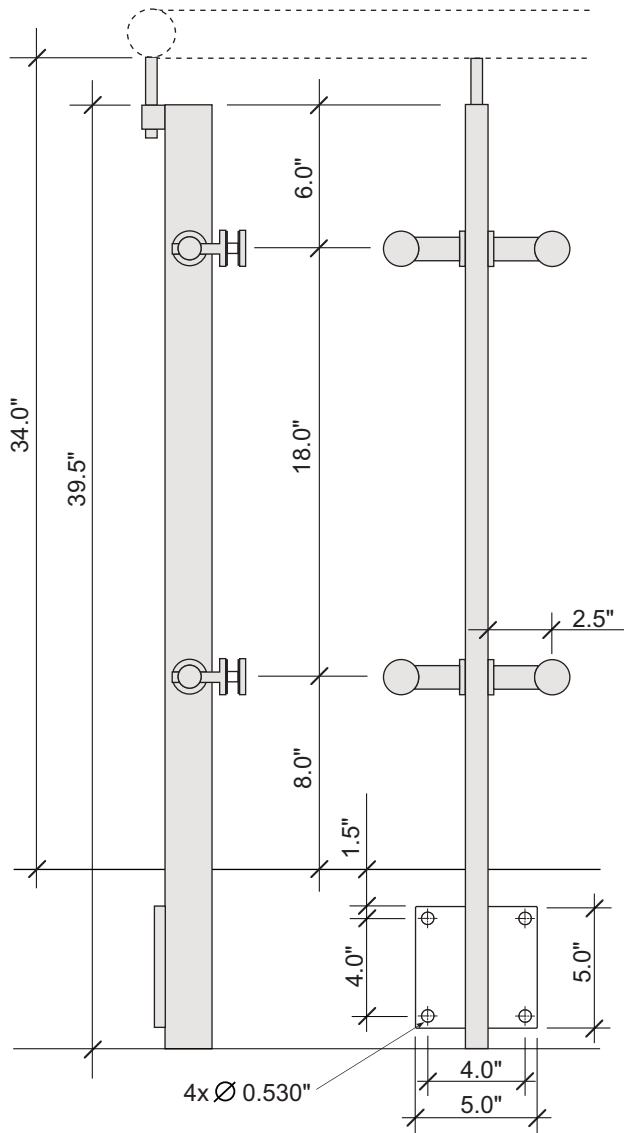
Stainless Steel 304, 316

► Finish

#4 (220grit) Brushed

42" Guard Rail

SS273-H Terra Double Sided Post - Vertical Mount



Vanrohe[®]
Architectural Products

Specification

► Assembly Components

Single flat bar 1" x 2",
Rail Support - 2" high vertical pin (height adjustment),
4 SSPB-13FX Panel Brackets,
Vertical Base Flange 5" x 5" x 1/2"

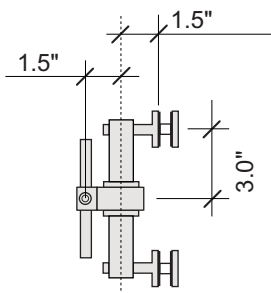
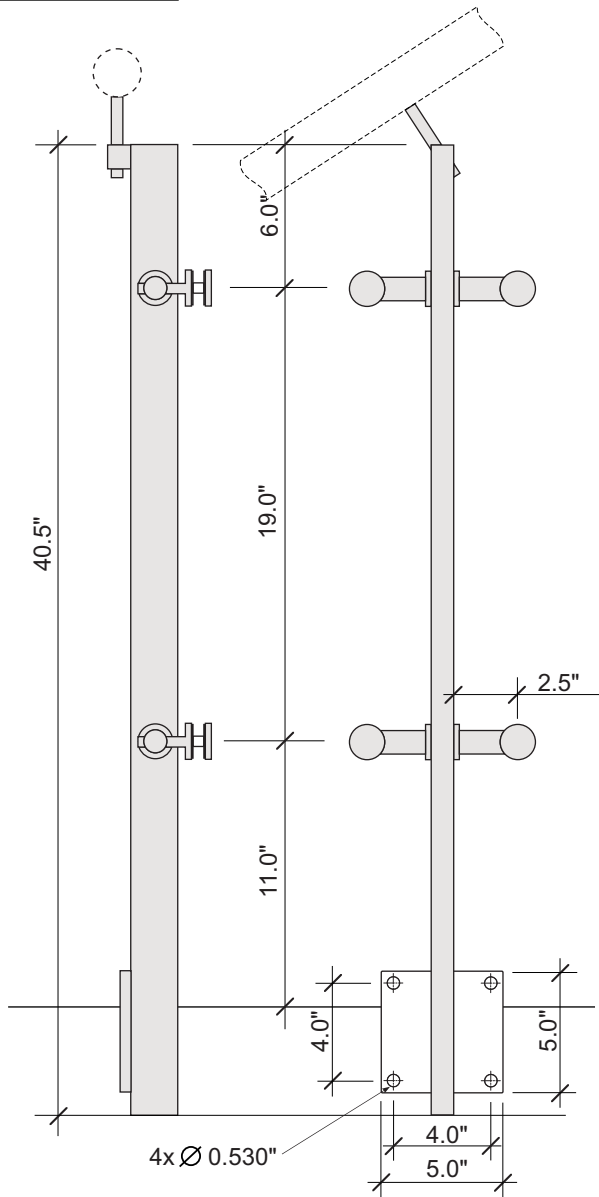
► Material

Stainless Steel 304, 316

► Finish

#4 (220grit) Brushed

36" Guard Rail



Vanrohe[®]
Architectural Products

Specification

► Assembly Components

Single flat bar 1" x 2",
Rail Support - 2" high vertical pin (height adjustment),
4 SSPB-13FX Panel Brackets,
Vertical Base Flange 5" x 5" x 1/2"

► Material

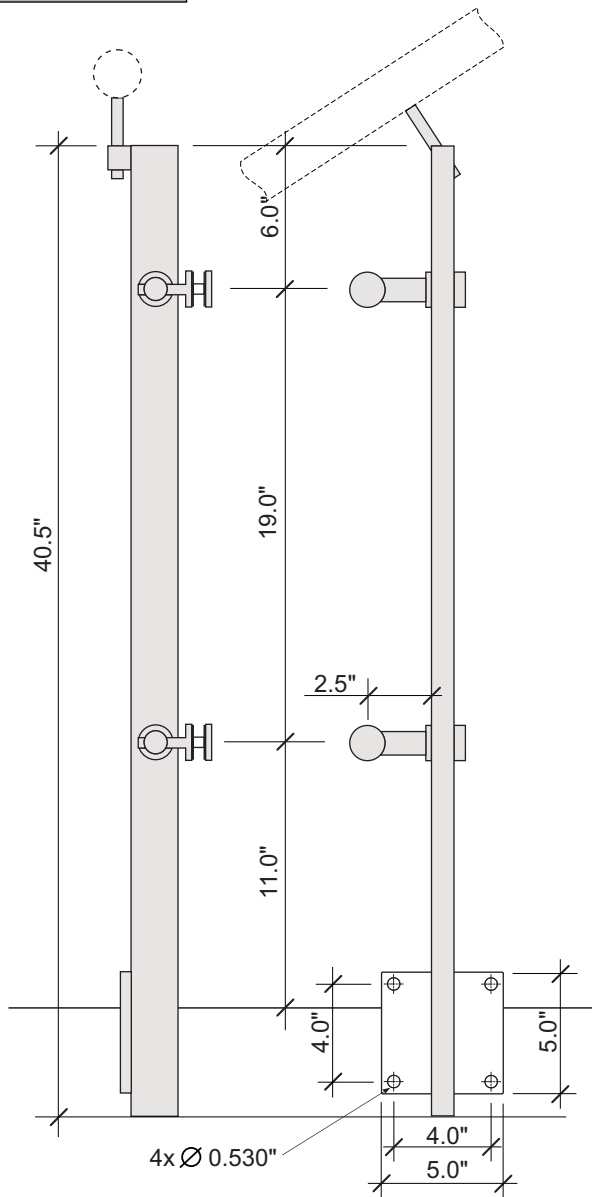
Stainless Steel 304, 316

► Finish

#4 (220grit) Brushed

37" Stairs

SS274-S Terra Single Sided Post - Vertical Mount



40.5"

19.0"

11.0"

2.5"

4.0"

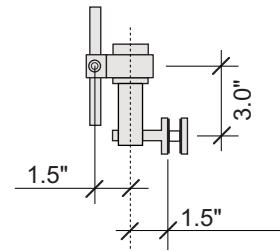
4.0"

4.0"

5.0"

5.0"

4x \varnothing 0.530"



1.5"

3.0"

1.5"

Vanrohe[®]
Architectural Products

Specification

► Assembly Components

Single flat bar 1" x 2",
Rail Support - 2" high vertical pin (height adjustment),
2 SSPB-13FX Panel Brackets,
Vertical Base Flange 5" x 5" x 1/2"

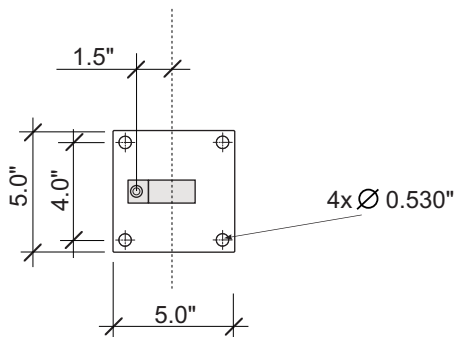
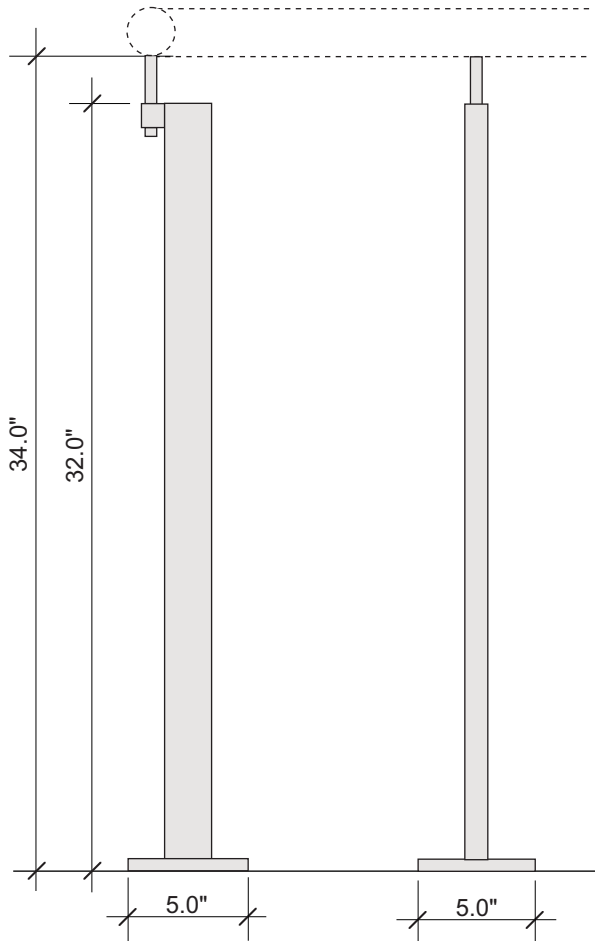
► Material

Stainless Steel 304, 316

► Finish

#4 (220grit) Brushed

37" Stairs



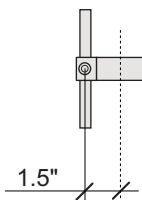
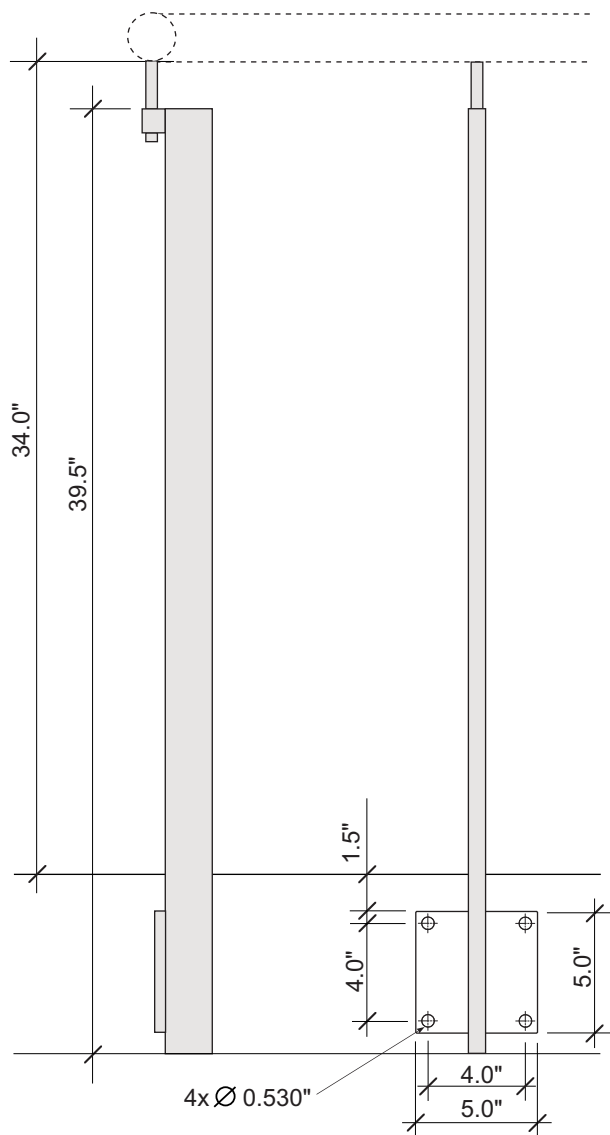
Vanrohe[®]
Architectural Products

Specification

- ▶ Assembly Components
 - Single flat bar 1" x 2",
 - Rail Support - 2" high vertical pin (height adjustment),
 - Base Flange 5" x 5" x 1/2"
- ▶ Material
 - Stainless Steel 304, 316
- ▶ Finish
 - #4 (220grit) Brushed

36" Hand Rail

SS400-H Terra Post - Vertical Mount



Vanrohe[®]
Architectural Products

Specification

► Assembly Components

Single flat bar 1" x 2",
Rail Support - 2" high vertical pin (height adjustment),
Vertical Base Flange 5" x 5" x 1/2"

► Material

Stainless Steel 304, 316

► Finish

#4 (220grit) Brushed

36" Hand Rail



Vanrohe[®]
Architectural Products

4444 Eastgate Parkway, Unit 3
Mississauga, ON L4W 4T6
www.vanrohe.com

Tel 289-290-3513
email info@vanrohe.com