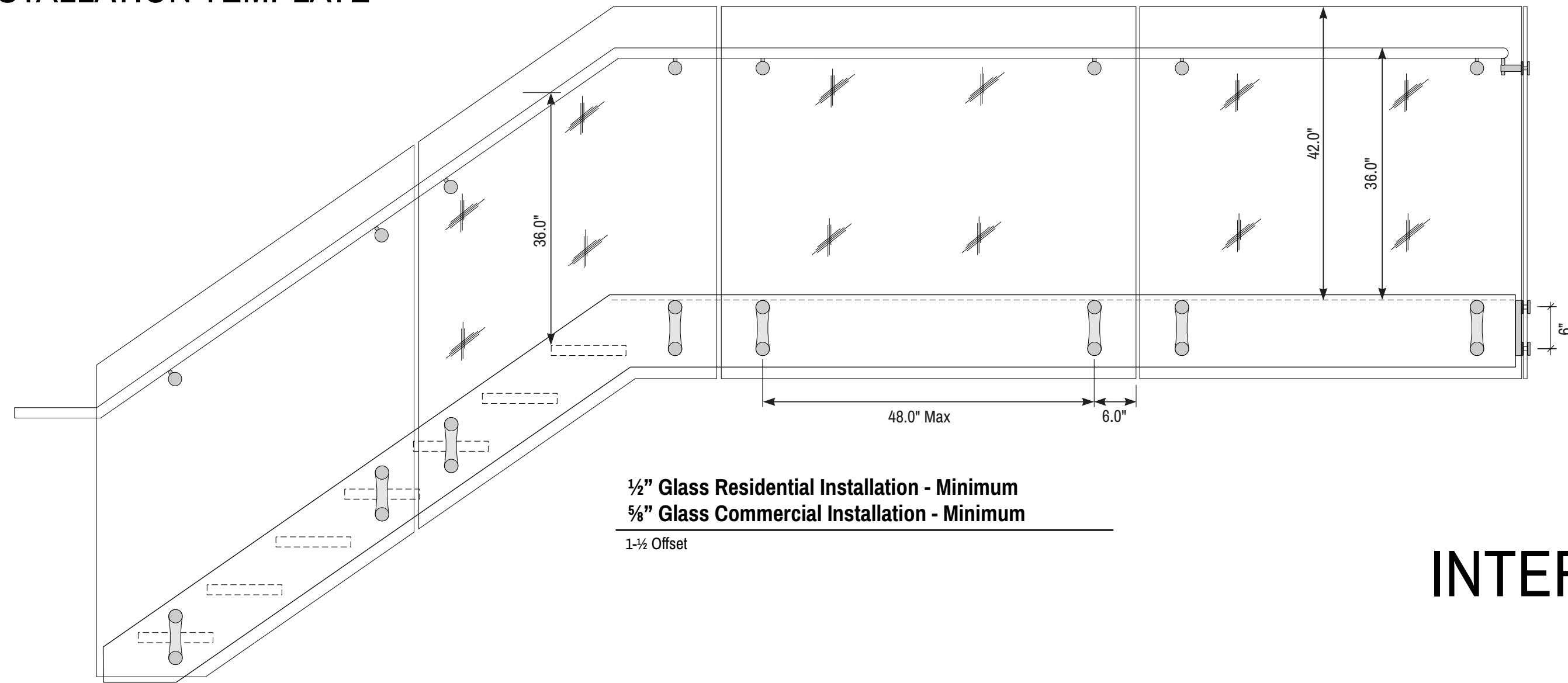
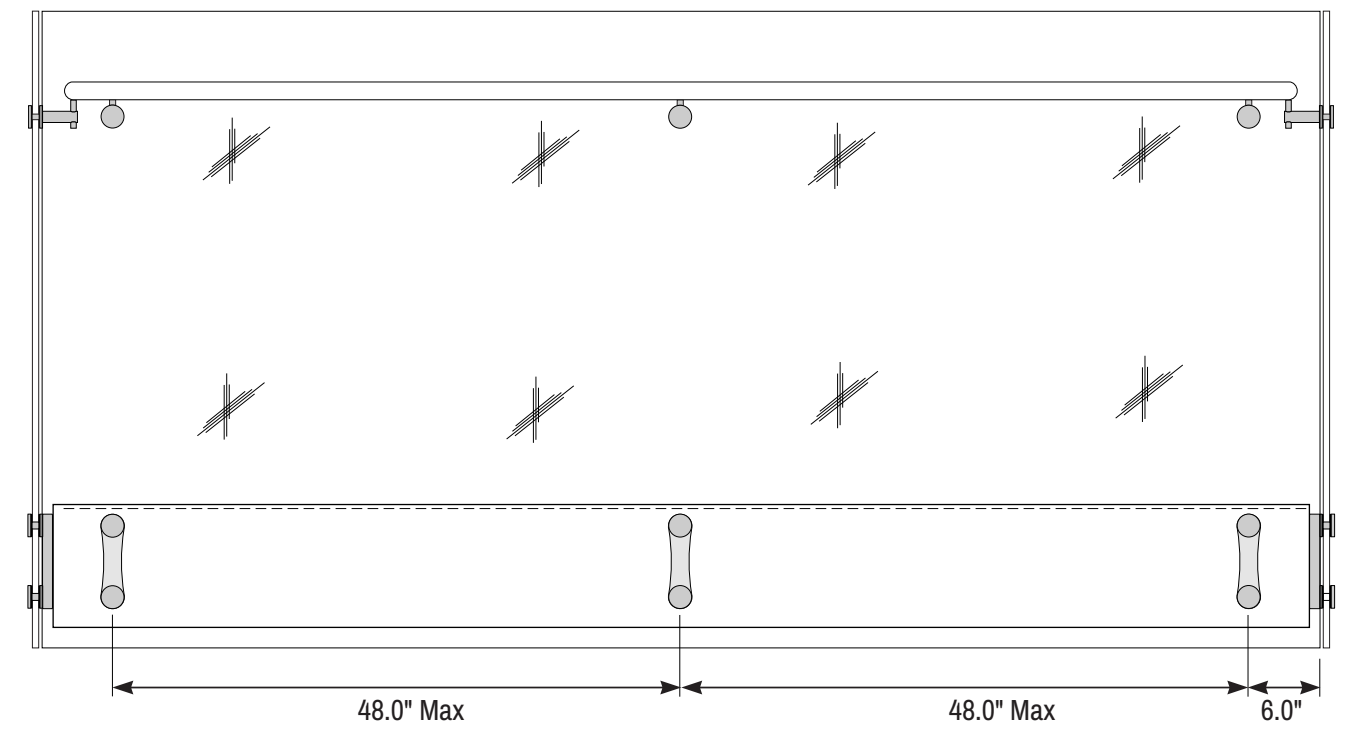


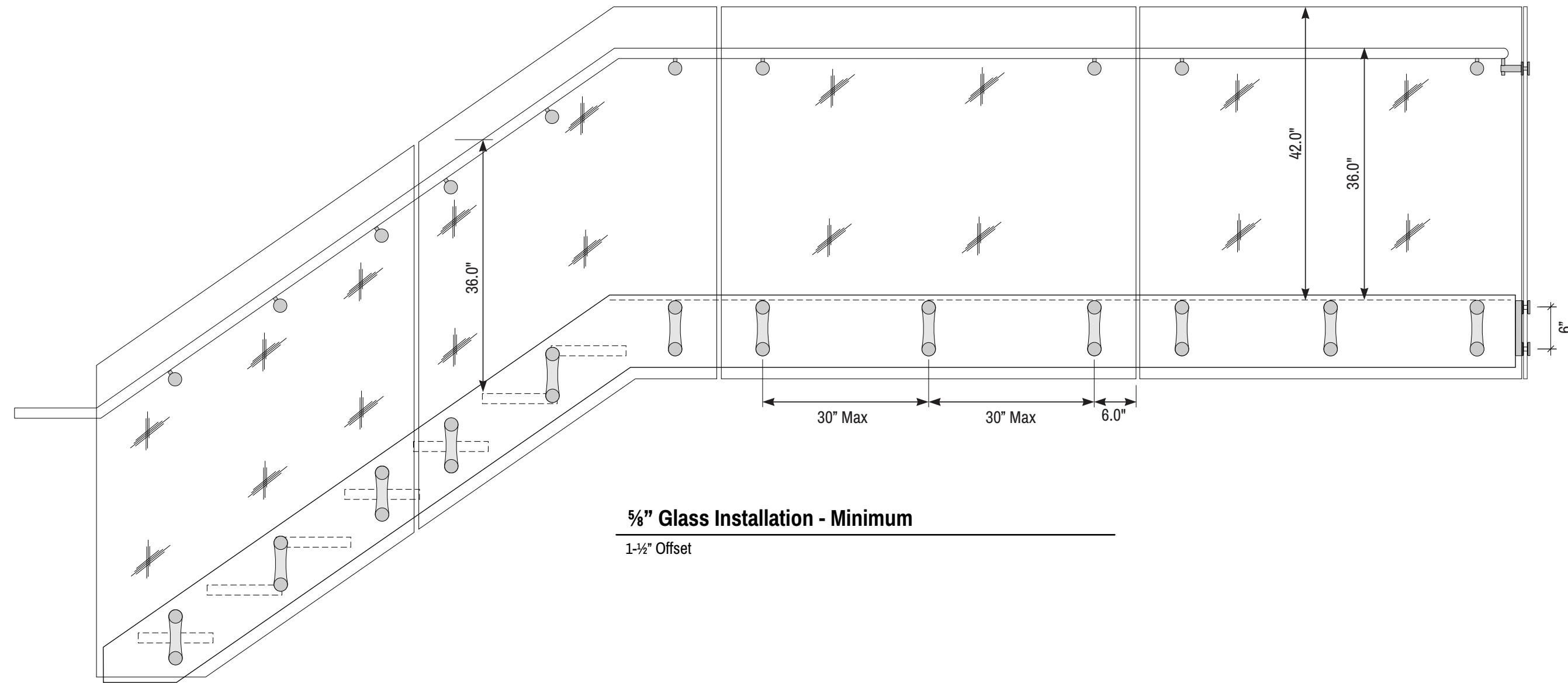
INSTALLATION TEMPLATE



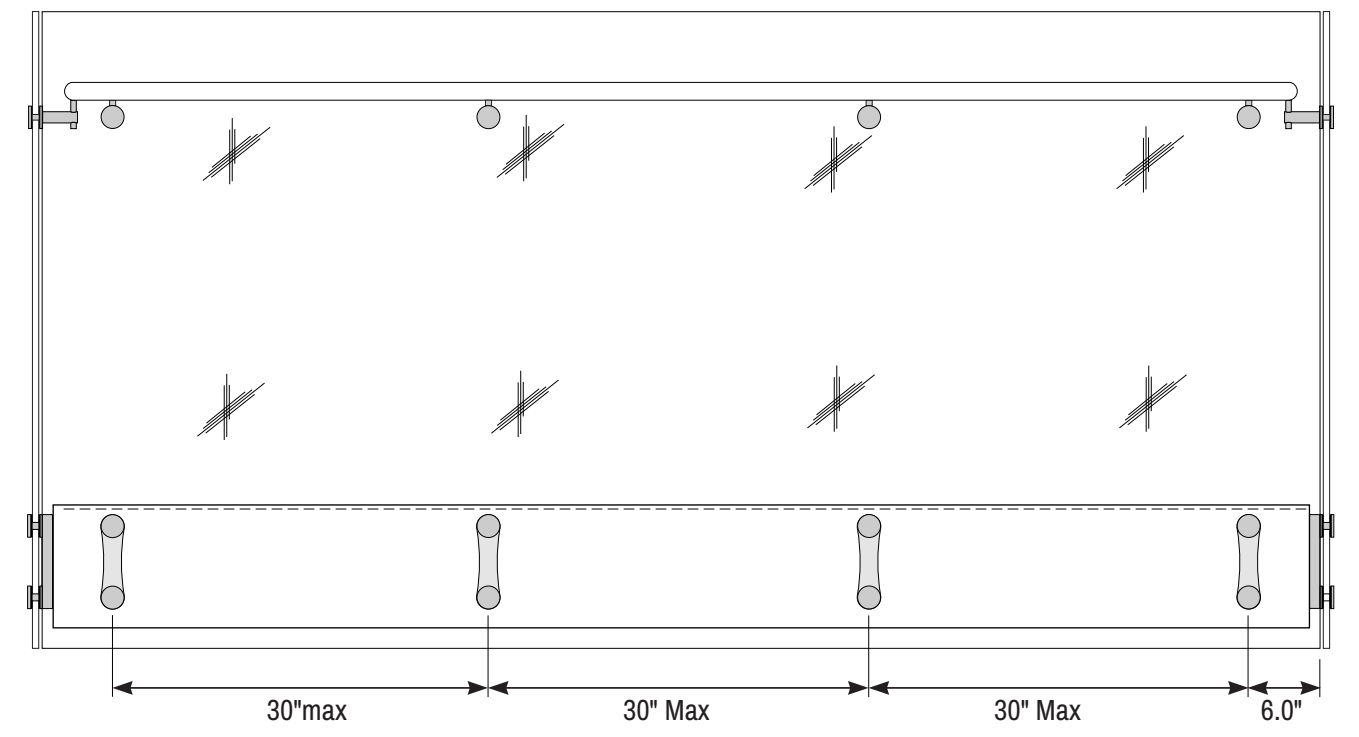
1/2" Glass Residential Installation - Minimum
5/8" Glass Commercial Installation - Minimum
 1-1/2" Offset



INTERIOR INSTALLATION



5/8" Glass Installation - Minimum
 1-1/2" Offset



EXTERIOR INSTALLATION

SPECIFICATION

SS Grade	316	Offset	1-1/2"
Finish	Brushed, Polished, BlackBronze	Face Cap Thickness	3/8", 3/4"
Hole in Glass	1" - 1-1/8"	Weight Capacity	195lb (1/2" thread)
Hanger Bolt	5/8"		
Substrate	Concrete, Steel, Wood		
Glass Panel Thickness	1/2" Minimum, 3/8", 3/4"		
Standoff Diameter	2"		

NOTE:
 DURING INSTALLATION
 LOCTITE THREADLOCKER MUST BE USED



Vanrohe

www.vanrohe.com

PART NO.
SSDB-102
 SCALE: 1 : 16
 DATE: 2012-03-24