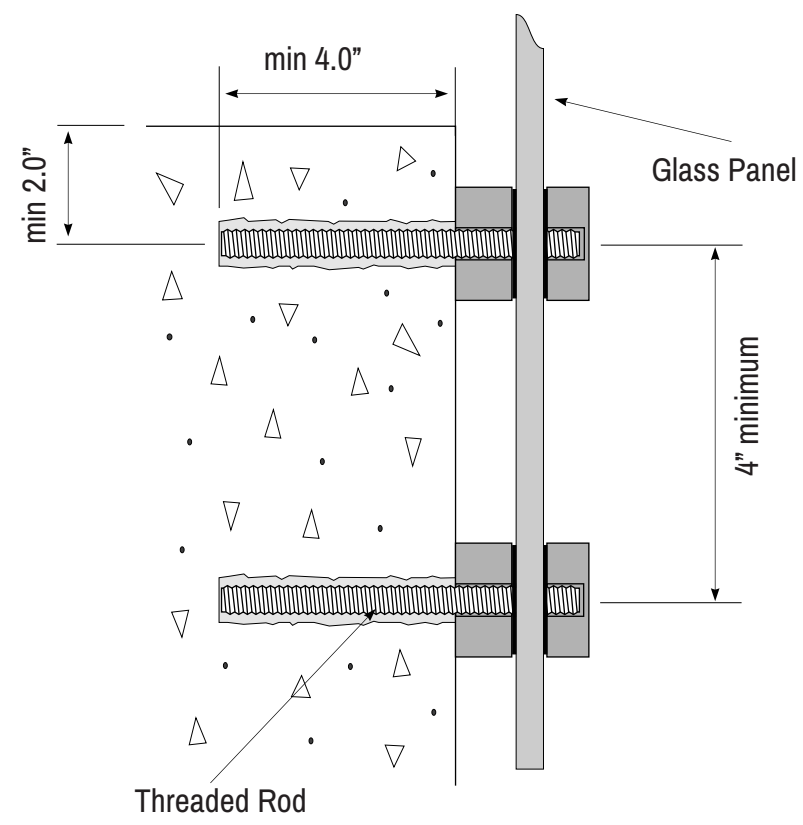
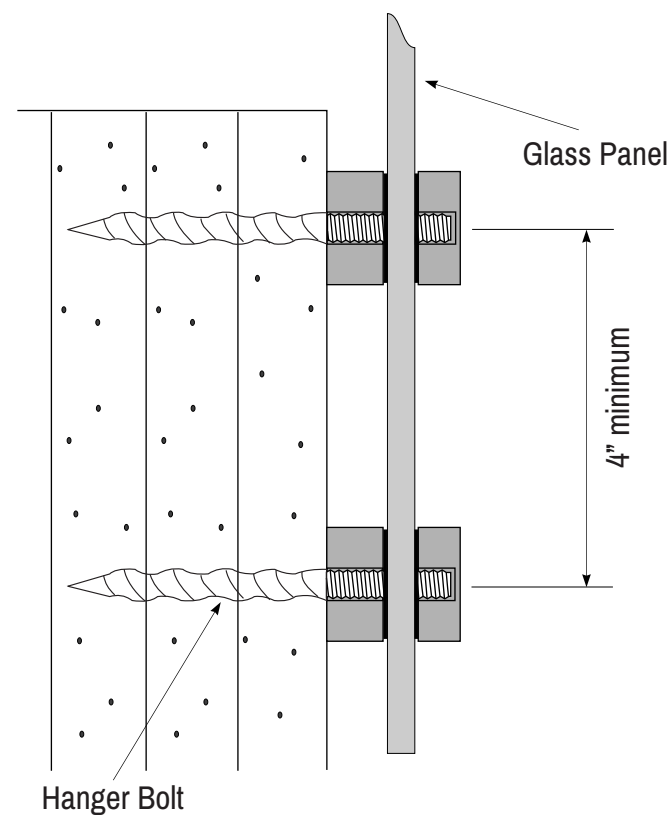


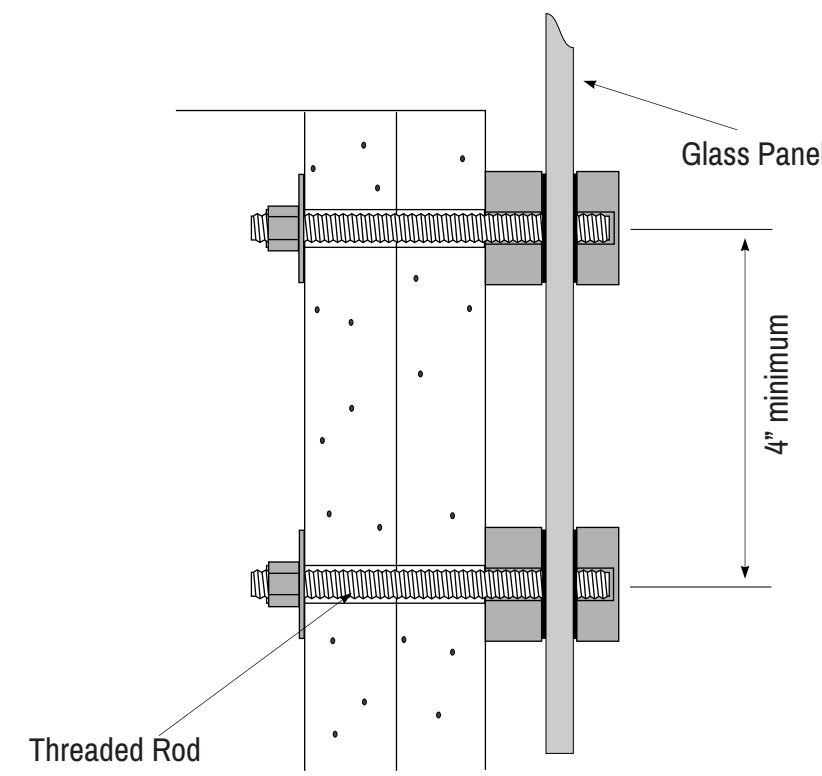
# TYPICAL INSTALLATIONS



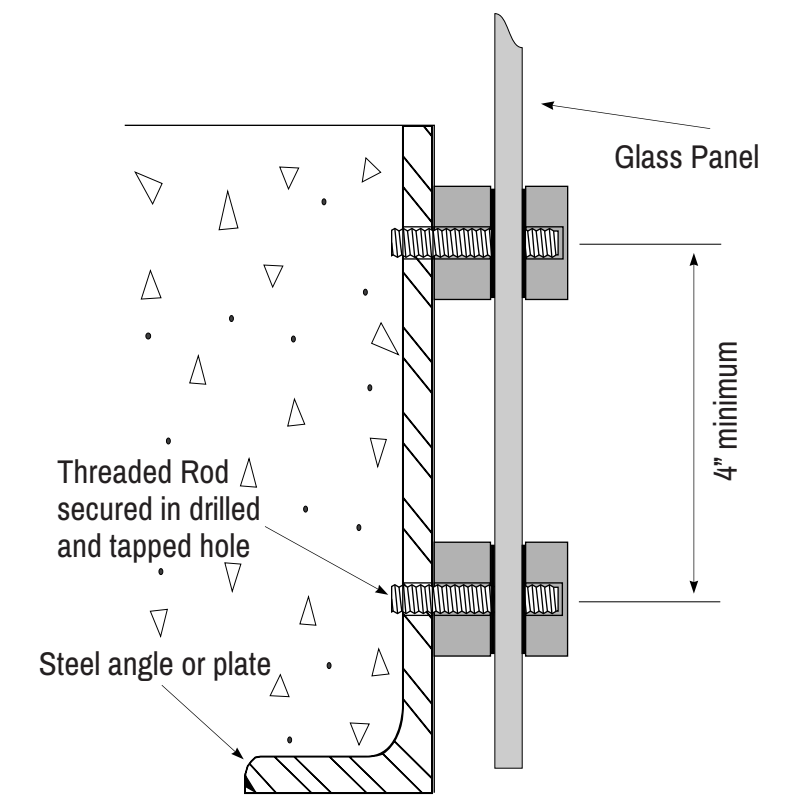
**A Concrete Substrate**  
Typical Fascia Mount Detail  
Epoxy Threaded Rod or Anchor installation



**B Wood Substrate**  
Typical Fascia Mount Detail  
Hanger Bolt Installation

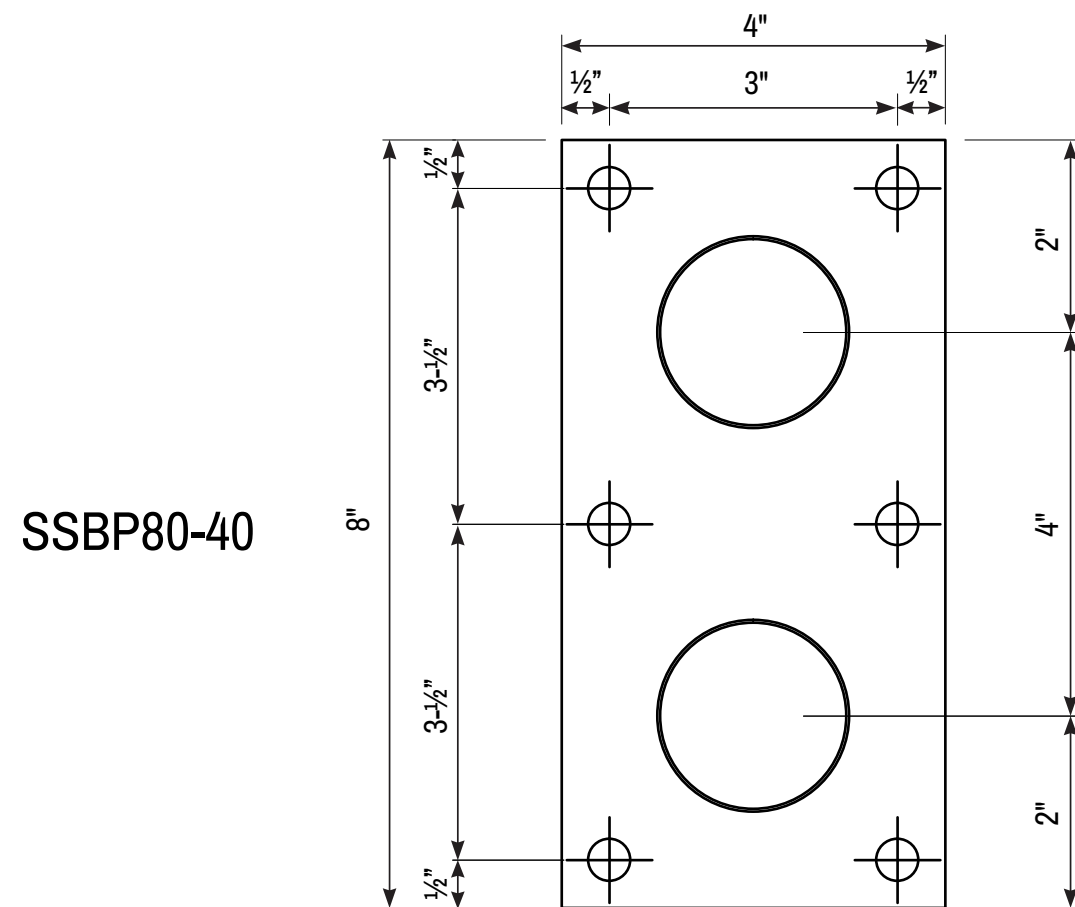
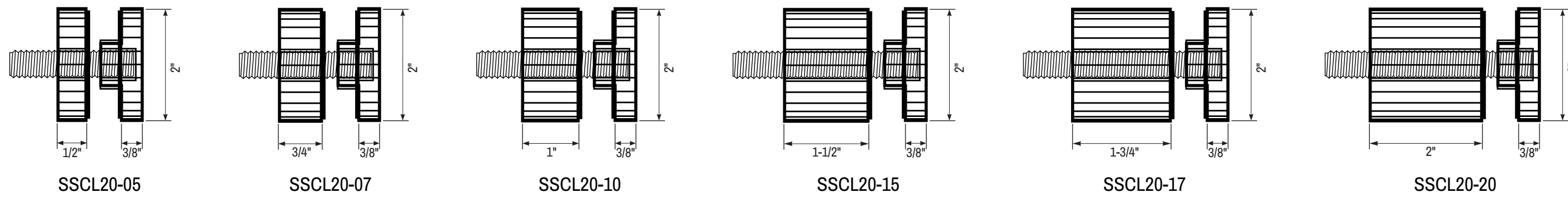


**C Wood Substrate**  
Typical Fascia Mount Detail  
Threaded Rod Installation

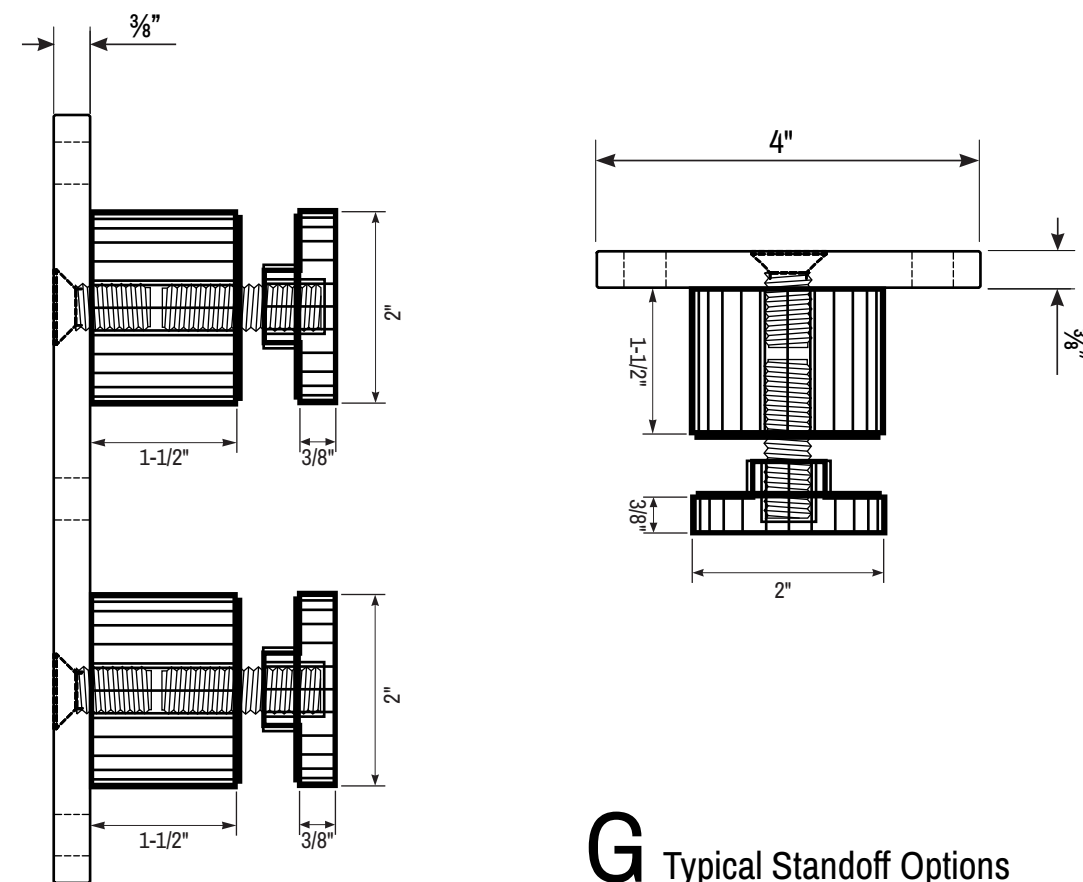


**D Steel Substrate**  
Typical Fascia Mount Detail  
Threaded Rod Installation

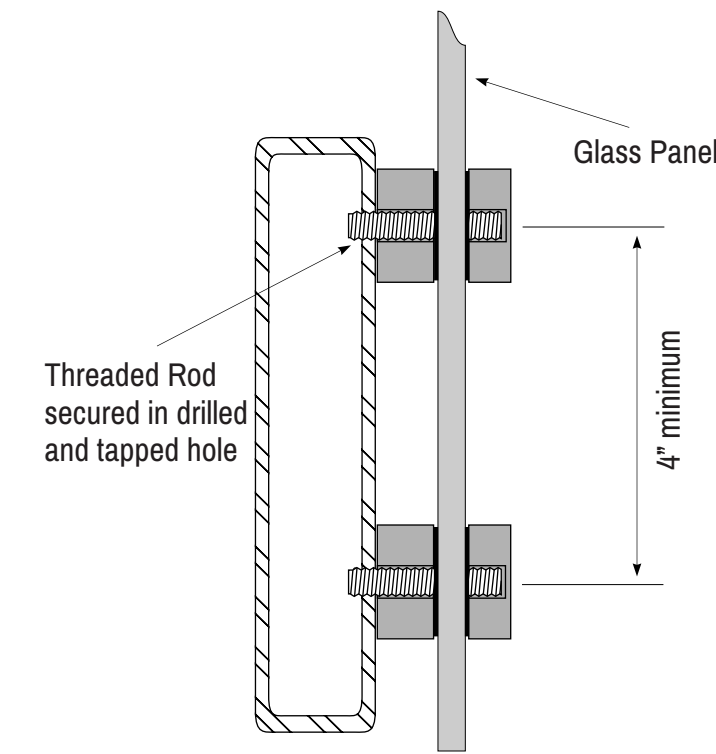
# STANDOFF OPTIONS



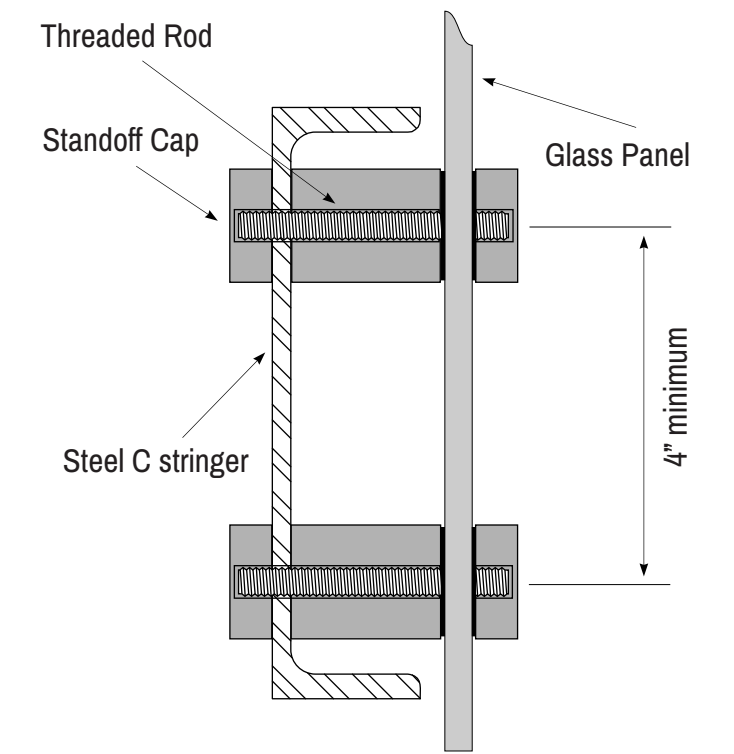
SSBP80-40



**G Typical Standoff Options**  
Scale 1 : 2



**E Steel Substrate**  
Typical Fascia Mount Detail  
Threaded Rod Installation



**F Steel Substrate**  
Typical Fascia Mount Detail  
Threaded Rod Installation

## SPECIFICATION

<b>SS Grade</b>	304, 316	<b>Offset</b>	1/2", 3/4", 1", 1-1/2", 1-3/4", 2"
<b>Finish</b>	Brushed, Polished, Bronze	<b>Face Cap Thickness</b>	3/8", 3/4"
<b>Hole in Glass</b>	1" - 1-1/8"	<b>Weight Capacity</b>	159lb (1/2" thread)
<b>Thread Size</b>	1/2"-13		
<b>Substrate</b>	Concrete, Steel, Wood		
<b>Glass Panel Thickness</b>	No Restrictions		
<b>Standoff Diameter</b>	2"		

**NOTE:**  
DURING INSTALLATION  
LOCTITE THREADLOCKER MUST BE USED



**Vanrohe**

www.vanrohe.com

PART NO. <b>SSCL20</b>	
SCALE:	DATE: 2012-03-24