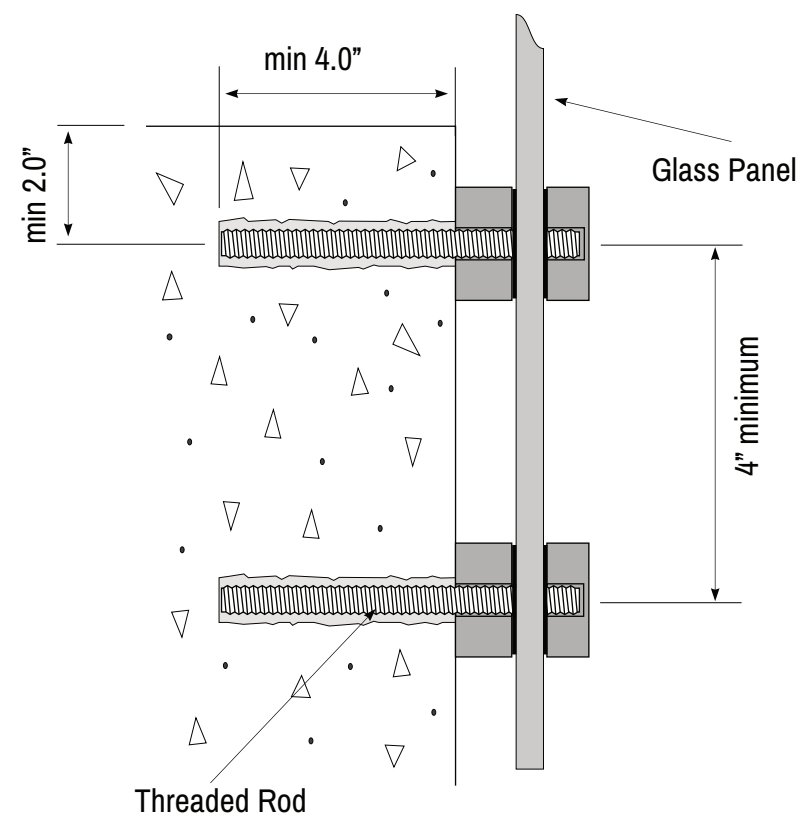
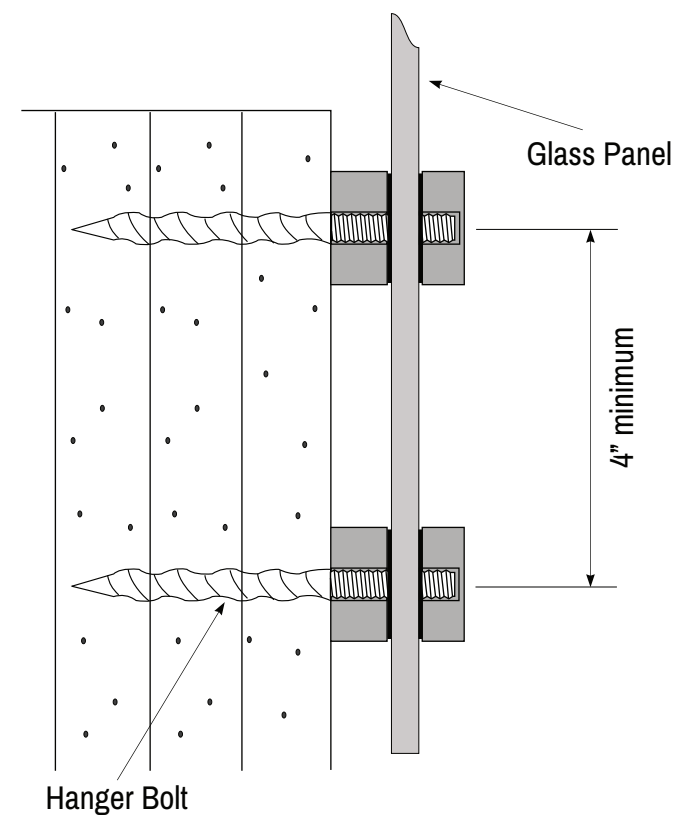


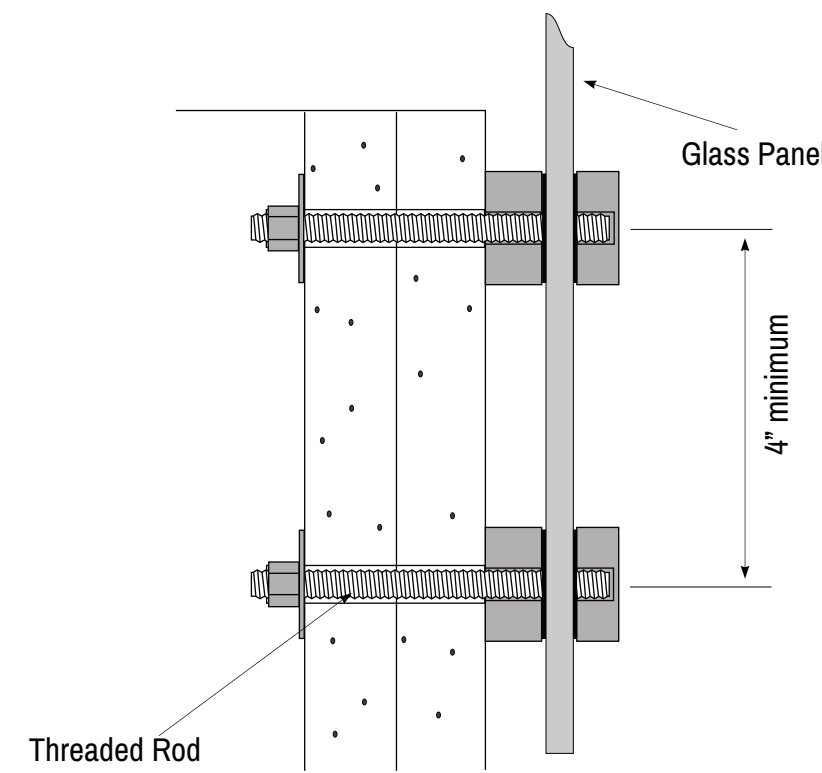
TYPICAL INSTALLATIONS



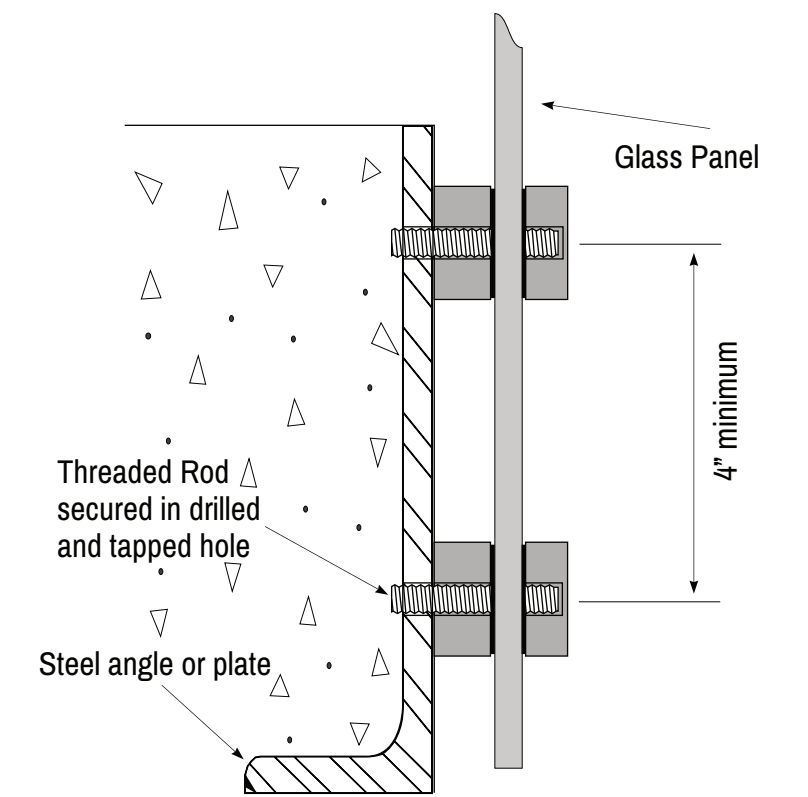
A Concrete Substrate
Typical Fascia Mount Detail
Epoxy Threaded Rod or Anchor installation



B Wood Substrate
Typical Fascia Mount Detail
Hanger Bolt Installation

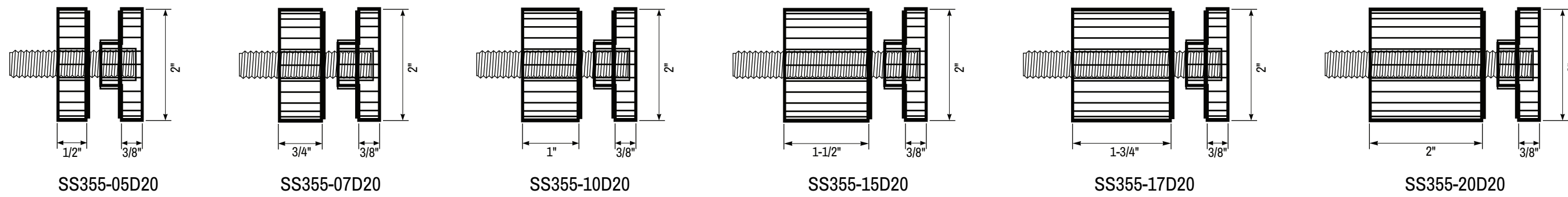


C Wood Substrate
Typical Fascia Mount Detail
Threaded Rod Installation

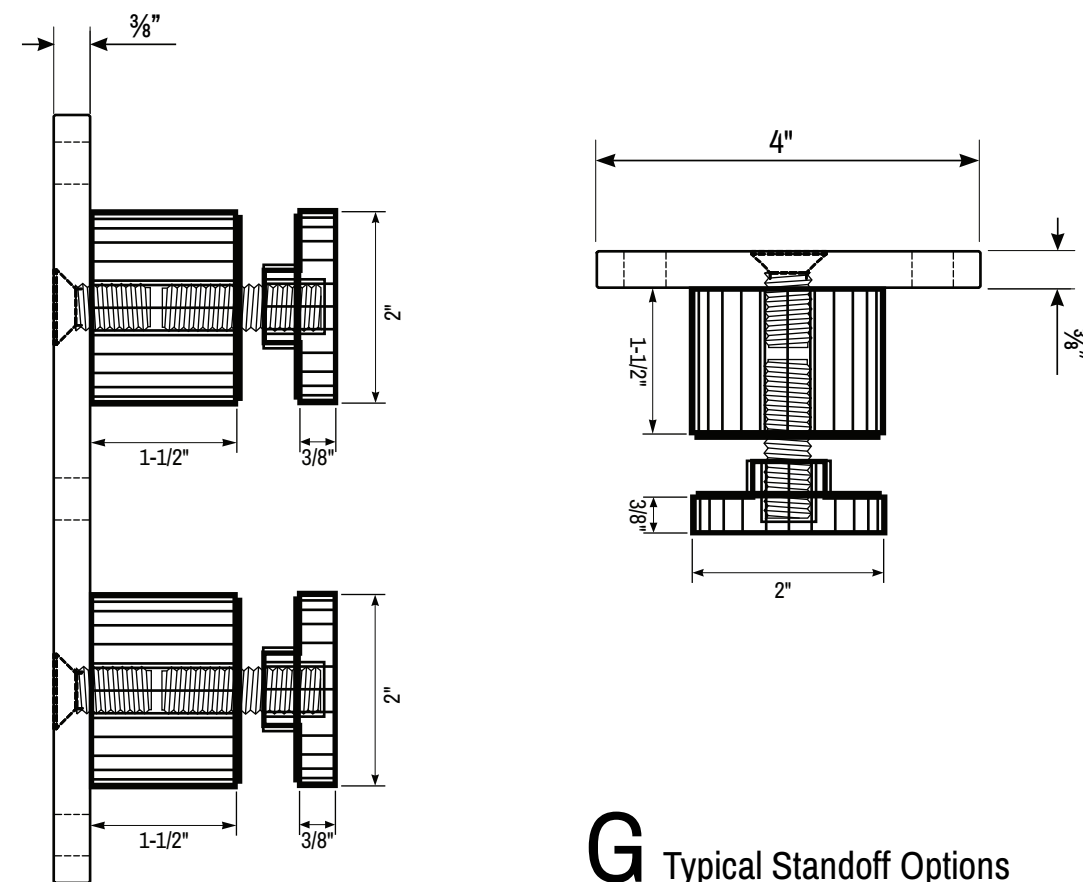
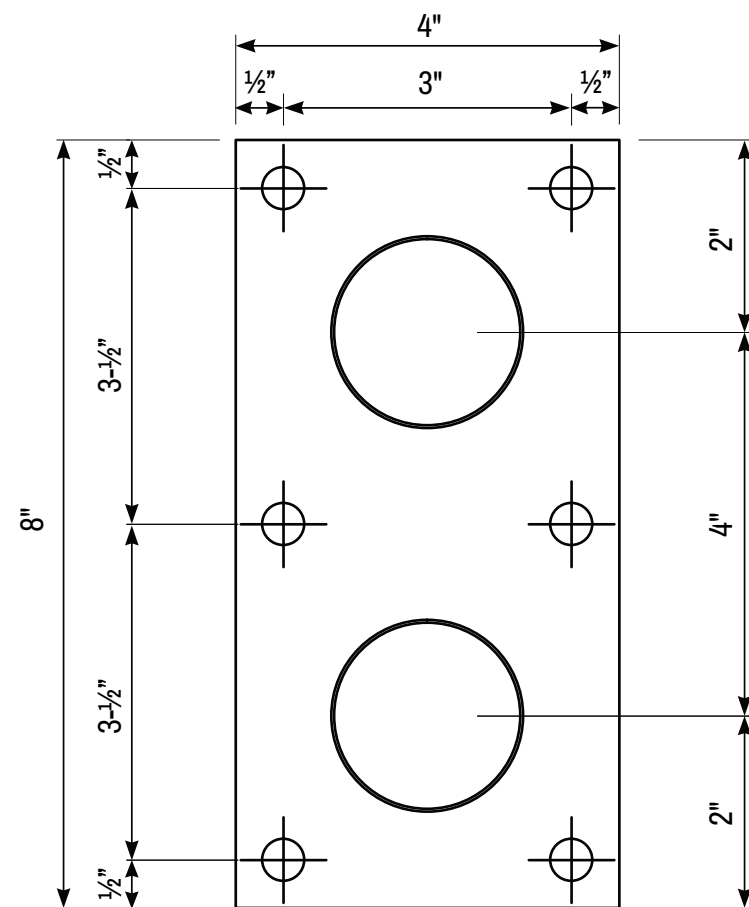


D Steel Substrate
Typical Fascia Mount Detail
Threaded Rod Installation

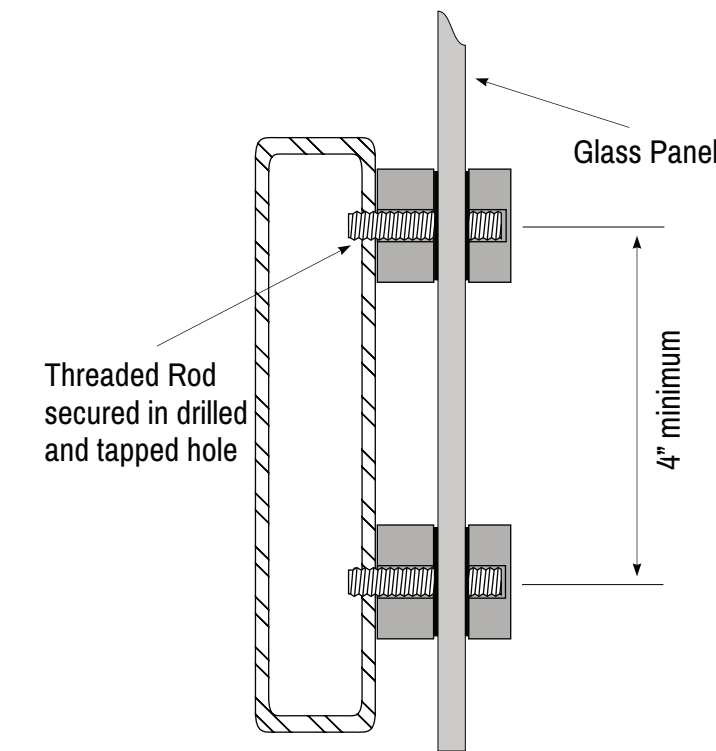
STANDOFF OPTIONS



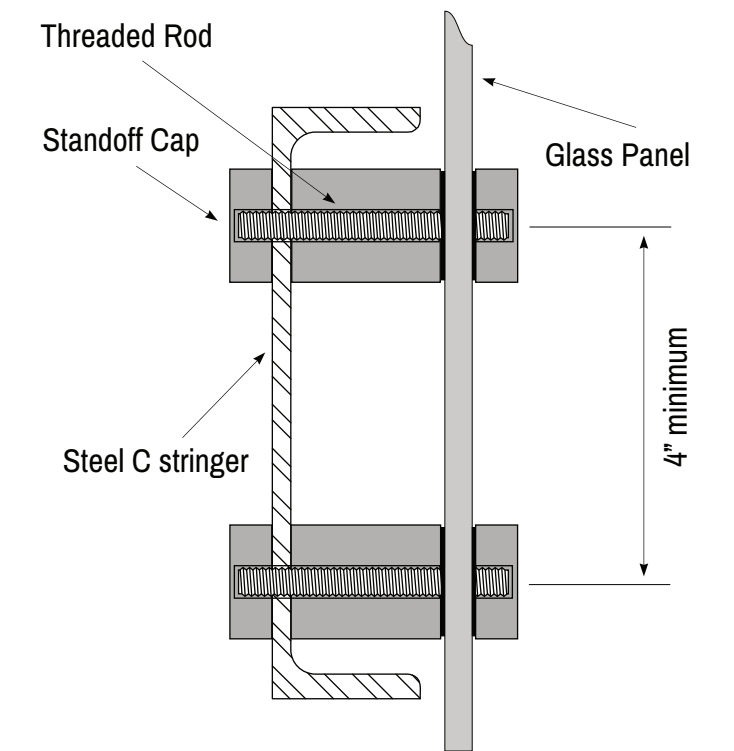
SSBP80-40



G Typical Standoff Options
Scale 1 : 2



E Steel Substrate
Typical Fascia Mount Detail
Threaded Rod Installation



F Steel Substrate
Typical Fascia Mount Detail
Threaded Rod Installation

SPECIFICATION

SS Grade	304, 316	Offset	1/2", 3/4", 1", 1-1/2", 1-3/4", 2"
Finish	Brushed, Polished, Black	Face Cap Thickness	3/8", 3/4"
Hole in Glass	1" - 1-1/8"	Weight Capacity	159lb (1/2" thread)
Thread Size	1/2"-13		
Substrate	Concrete, Steel, Wood		
Glass Panel Thickness	No Restrictions		
Standoff Diameter	2"		

NOTE:
DURING INSTALLATION
LOCTITE THREADLOCKER MUST BE USED



VanRohe®

www.vanrohe.com

PART NO. SS355	
SCALE:	DATE: 2012-03-24