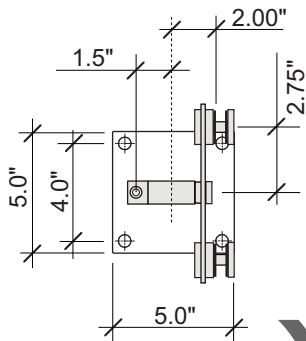
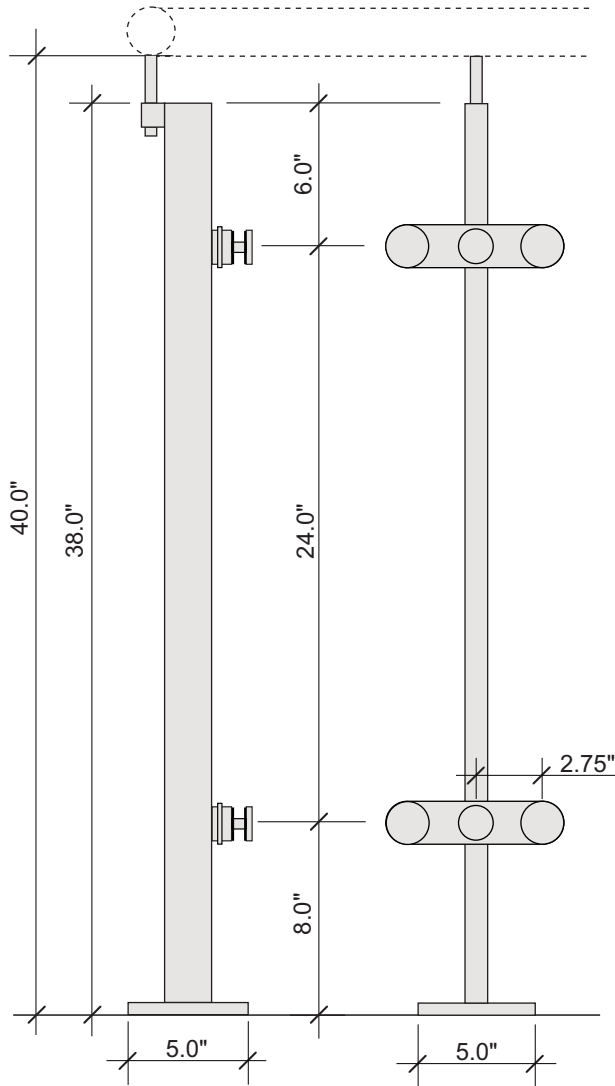




Classic



SS471-C Classic Post



Vanrohe[®]
Architectural Products

Specification

► Assembly Components

Single flat bar 1" x 2",
Rail Support - 2" high vertical pin (height adjustment),
2 SSPB-107 Panel Brackets,
Base Flange 5" x 5" x 1/2"

► Material

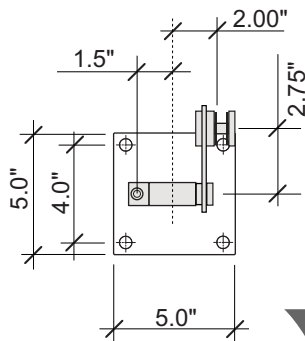
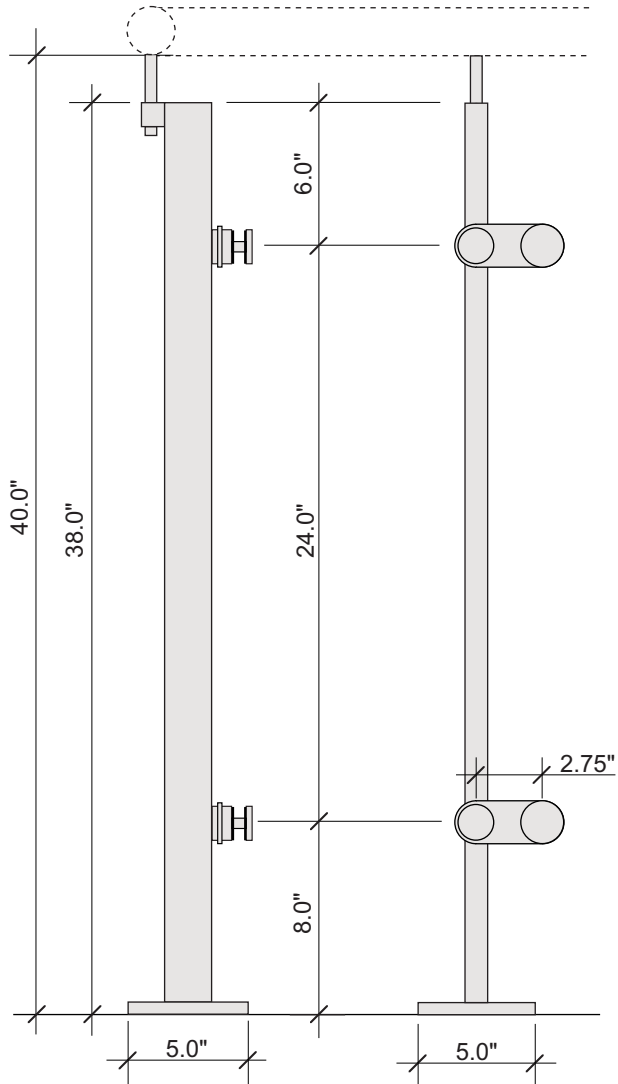
Stainless Steel 304, 316

► Finish

#4 (220grit) Brushed

42" Guard Rail

SS472-C Classic Post



Vanrohe[®]
Architectural Products

Specification

► Assembly Components

Single flat bar 1" x 2",
Rail Support - 2" high vertical pin (height adjustment),
2 SSPB-108 Panel Brackets,
Base Flange 5" x 5" x 1/2"

► Material

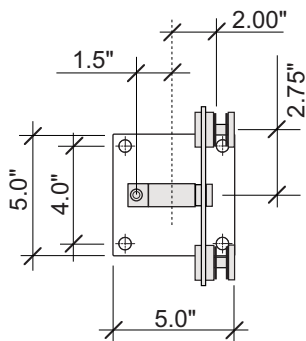
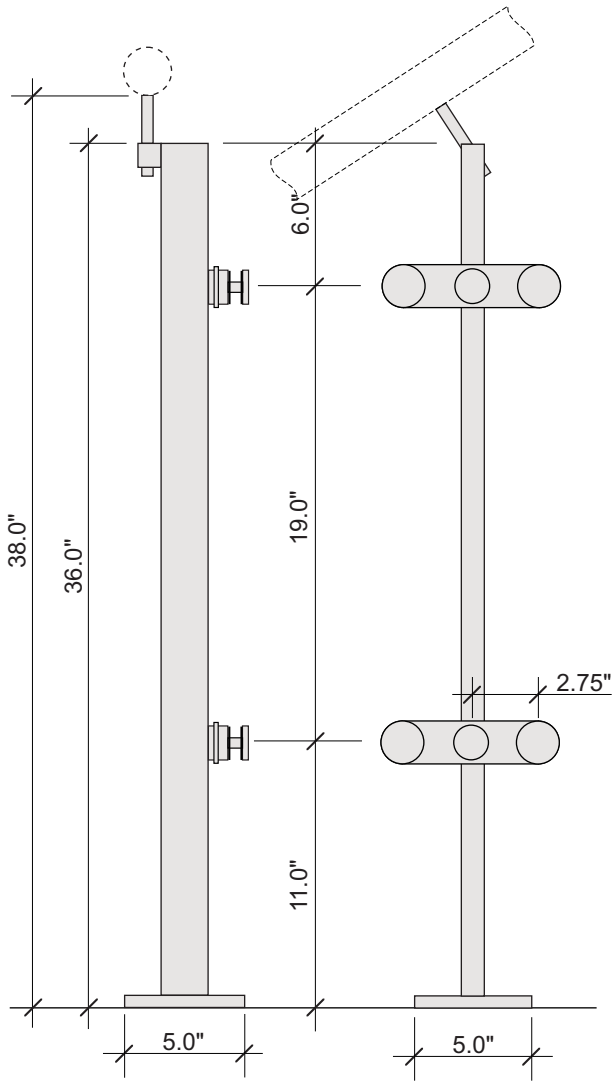
Stainless Steel 304, 316

► Finish

#4 (220grit) Brushed

42" Guard Rail

SS471-S Classic Post



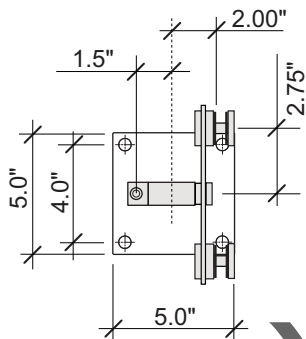
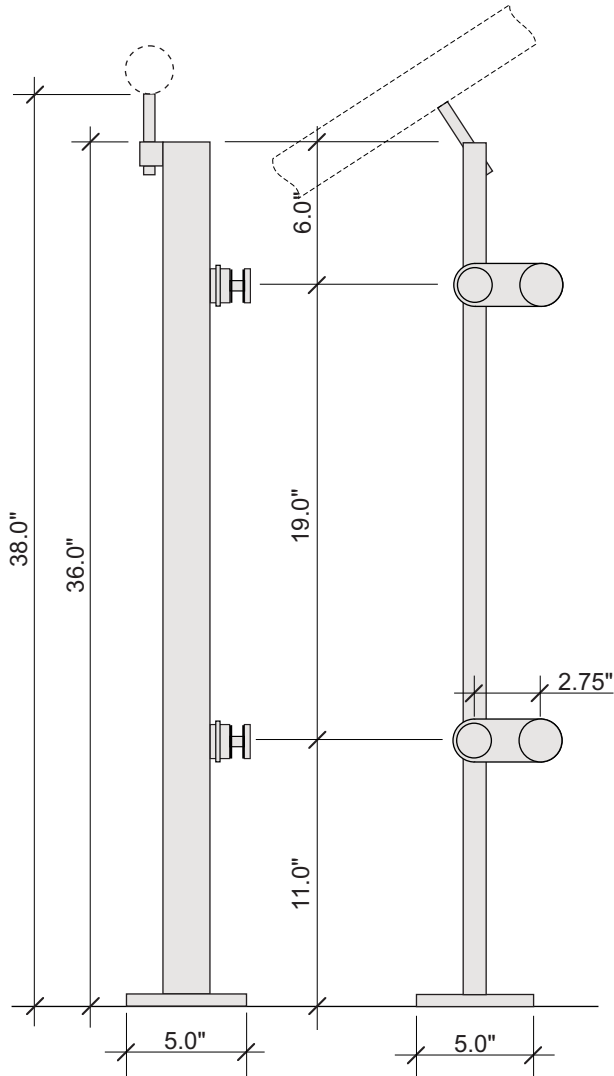
Vanrohe[®]
Architectural Products

Specification

- Assembly Components
 - Single flat bar 1" x 2",
 - Rail Support - 2" high vertical pin (height adjustment),
 - 2 SSPB-107 Panel Brackets,
 - Base Flange 5" x 5" x 1/2"
- Material
 - Stainless Steel 304, 316
- Finish
 - #4 (220grit) Brushed

37" Stairs

SS472-S Classic Post



Vanrohe[®]
Architectural Products

Specification

► Assembly Components

Single flat bar 1" x 2",
Rail Support - 2" high vertical pin (height adjustment),
2 SSPB-108 Panel Brackets,
Base Flange 5" x 5" x ½"

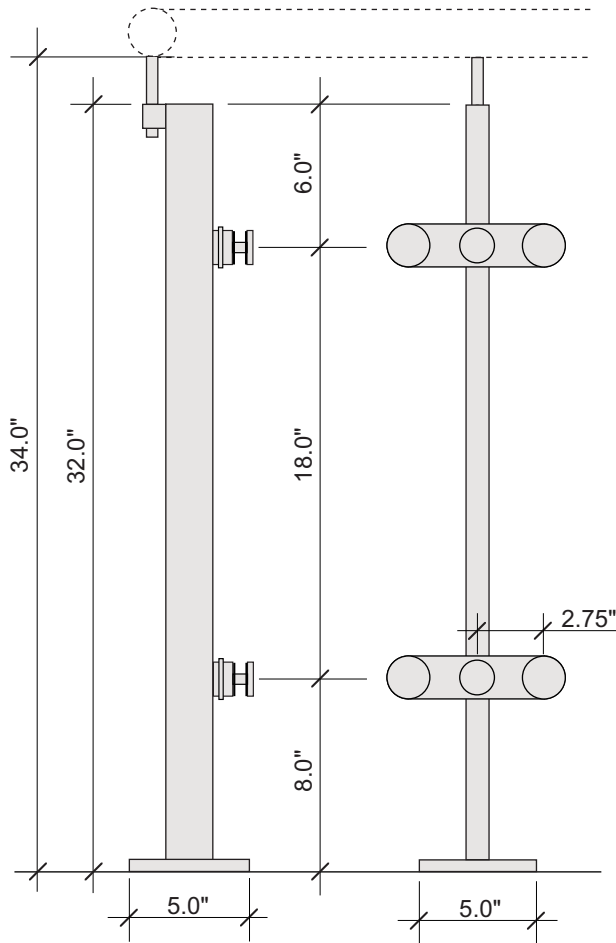
► Material

Stainless Steel 304, 316

► Finish

#4 (220grit) Brushed

37" Stairs



Specification

► Assembly Components

Single flat bar 1" x 2",
 Rail Support - 2" high vertical pin (height adjustment),
 2 SSPB-107 Panel Brackets,
 Base Flange 5" x 5" x 1/2"

► Material

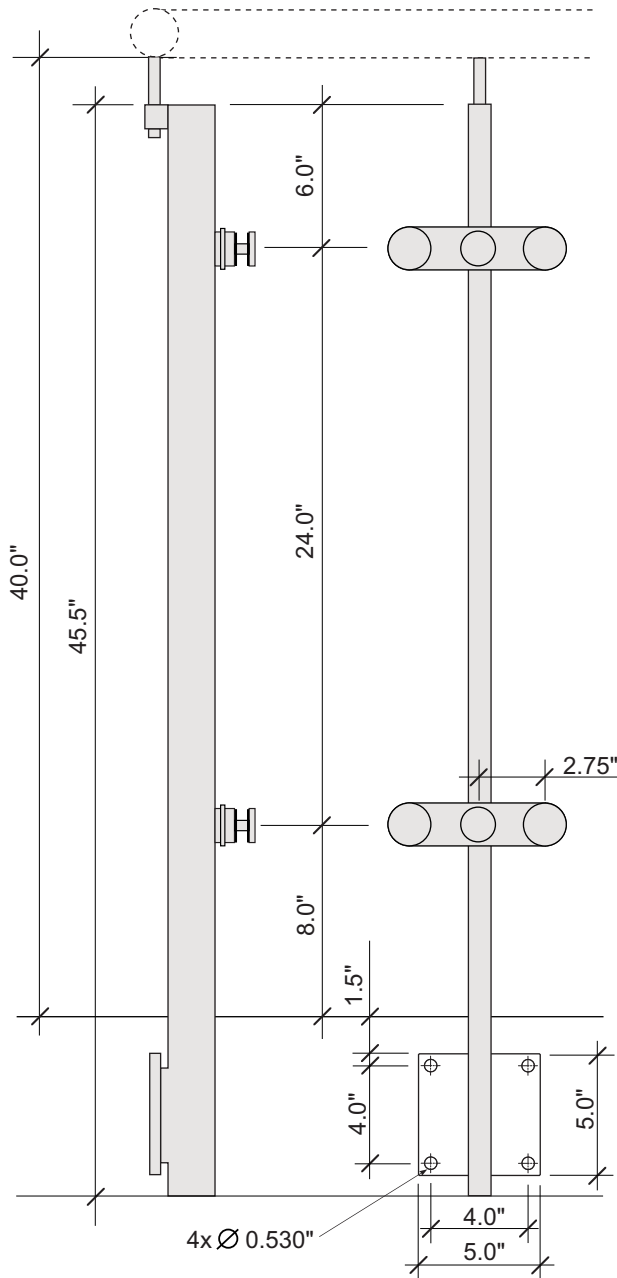
Stainless Steel 304, 316

► Finish

#4 (220grit) Brushed

36" Guard Rail

Vanrohe[®]
 Architectural Products



Specification

► Assembly Components

Single flat bar 1" x 2",
 Rail Support - 2" high vertical pin (height adjustment),
 2 SSPB-107 Panel Brackets,
 Base Flange 5" x 5" x 1/2"

► Material

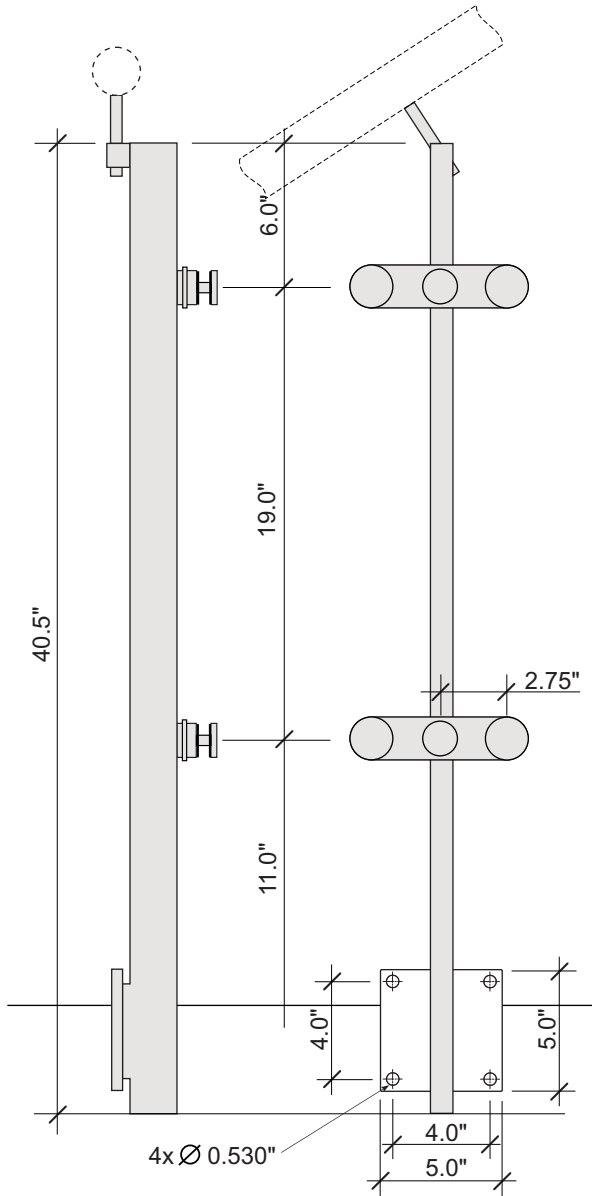
Stainless Steel 304, 316

► Finish

#4 (220grit) Brushed

42" Guard Rail

Vanrohe[®]
 Architectural Products



Specification

► Assembly Components

Single flat bar 1" x 2",
 Rail Support - 2" high vertical pin (height adjustment),
 2 SSPB-107 Panel Brackets,
 Base Flange 5" x 5" x 1/2"

► Material

Stainless Steel 304, 316

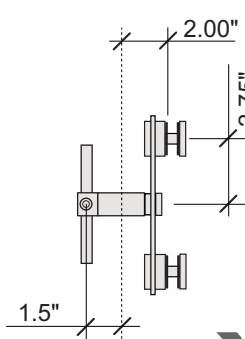
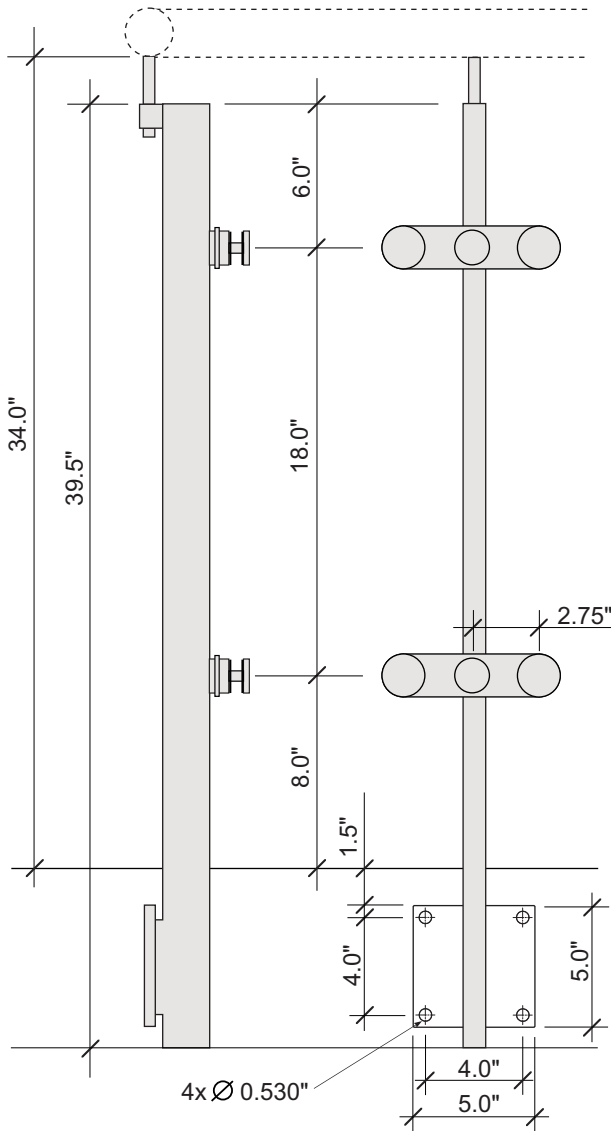
► Finish

#4 (220grit) Brushed

37" Stairs

Vanrohe[®]
 Architectural Products

SS473-H Classic Vertical Mount Post



Vanrohe[®]
Architectural Products

Specification

► Assembly Components

Single flat bar 1" x 2",
Rail Support - 2" high vertical pin (height adjustment),
2 SSPB-107 Panel Brackets,
Base Flange 5" x 5" x 1/2"

► Material

Stainless Steel 304, 316

► Finish

#4 (220grit) Brushed

36" Guard Rail



Vanrohe[®]
Architectural Products

4444 Eastgate Parkway, Unit 3
Mississauga, ON L4W 4T6
www.vanrohe.com

Tel 289-290-3513
email info@vanrohe.com